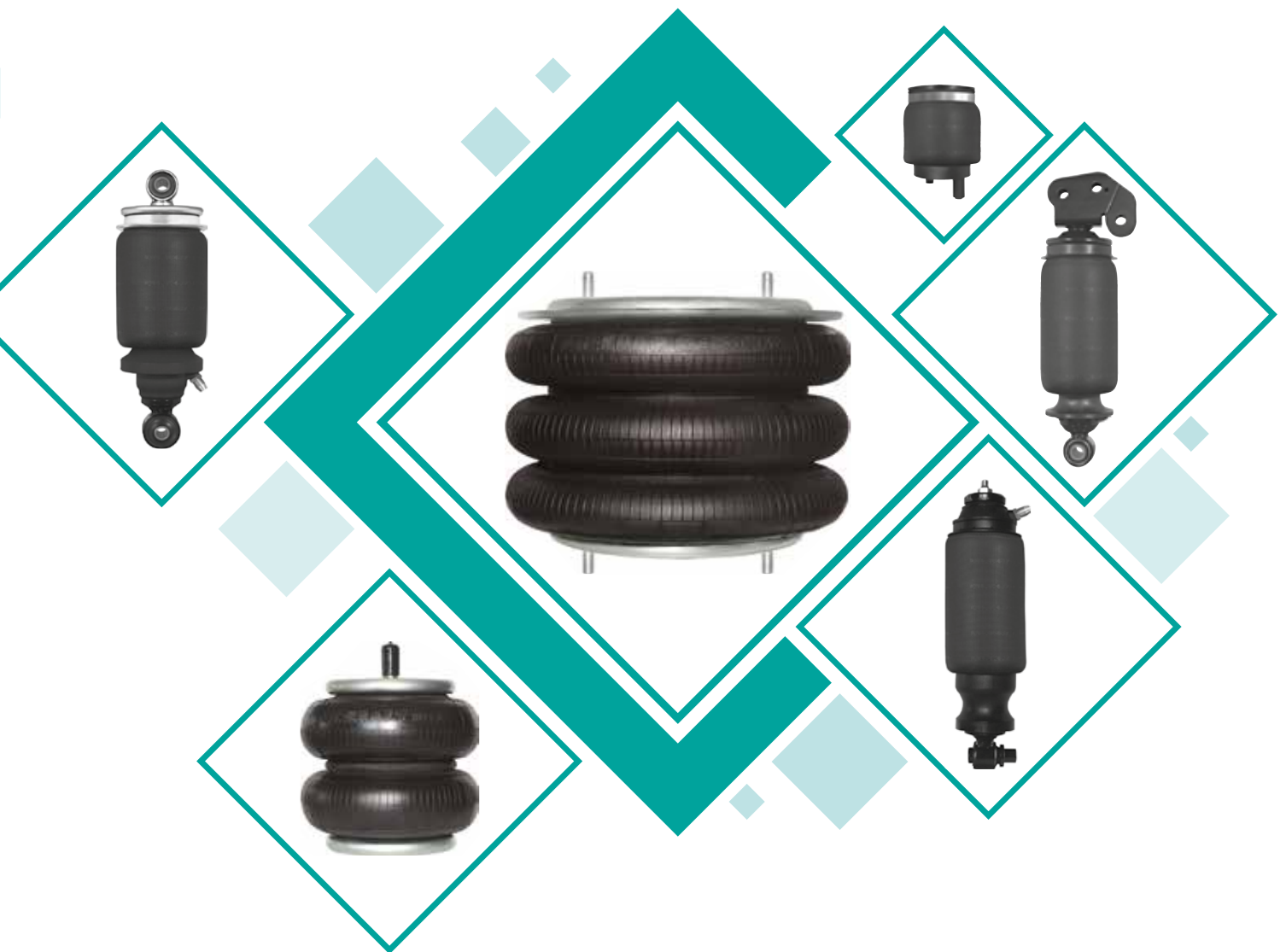




Your opportunity starts right here...



2018
CATALOGUE



ABOUT US



de. Today, Aircraft brand air springs can be found in more than 80 countries worldwide.

The brand stands for closeness to its customers, constant innovation, on time deliveries, competitive pricing strategy and stability. Comprehensive product range satisfies the stringent requirements of its customers.

The quality and management system is certified to ISO 9001:2008 and ISO/TS 16949:2009.

Believing in 'investment will improve organizational abilities, raw material security and maneuverability' Aircraft speeded up investments by implementing SAP and adding its own Calendar Line to its machinery portfolio.

Choice of both OE companies and reputable aftermarket shelves, Aircraft pursues long term and sustainable goals. It strives for market leadership with its quality products and focuses on continuous growth with its modern production facility.

Our convoluted and sleeve type air springs have strict design specifications of which our R&D department ensures quick execution of processes at very high quality. Aircraft Air Springs are precisely engineered, designed, tested and manufactured according to strict parameters to provide reliable and cost-effective use in a wide variety of applications. Most common applications are in vehicle suspensions, but air springs can also be used to keep vibrating/rotating machinery from affecting other components.

Aircraft offers a variety of air spring types to meet your actual or isolation needs. Our product range covers;

- Convoluted air springs providing superior performance in lifting applications and vibration absorption applications
- Sleeve type air springs are widely used as the major component in cabin suspension and driver seat suspension.





CONVOLUTED AIR SPRINGS

Classified as single, double and triple; convoluted air springs increasingly replace pneumatic cylinders in the world industry. With higher course length, compactness, ease of usage and low maintenance costs, convoluted air springs offer the performance in lifting, compression, suspension and eliminating vibration both under vehicles and machines.

All convoluted air springs are available in a wide range of sizes, with the end retainer style required for your installation. Although the two-ply air spring is standard, many of our air springs are also available in four ply construction for use at higher pressures.

As well as aftermarket customers, Aircraft proudly provides high quality convoluted air springs to local OEM brands since year 2000.

The main technical characteristics of each rubber bellows are indicated in order to identify easily and quickly the best product to meet your specific requirements. Details on our convoluted air spring range can be found starting from page 5.





SLEEVE TYPE AIR SPRINGS

Sleeve type air springs are typically used for truck & tractor cabin suspension, suspension of passenger vehicles and driver's seat suspension. These air springs can be used, depending on space availability, directly as an add-on to the vibration shock absorber or alternatively installed in parallel arrangement to it.

Please check page 101 for details about our sleeve type air spring range for cabin, passenger cars, light commercial vehicles and driver's seat suspension.



Sleeve Type Cabin Air Springs

Used in the truck and tractors' cabin as four point suspension, cabin air springs provide much more comfort in comparison to its precedes, steel springs. Combining traditional shock absorbers with air springs instead of coil springs, this hybrid solution to suspension significantly eliminates vibration.

Since 2000, Aircraft supplies cabin air springs and sole sleeves not only to the aftermarket but also to worldwide leading shock absorber manufacturers.

See page 105 to 139 for details about our cabin air spring range.



Sleeve Type Driver's Seat Air Springs

Driver's seat air springs provide a new breed of seat suspension, lowering fatigue and health risks frequently faced by drivers. Eliminates the vibration for the most important part of the truck, THE DRIVER, and keeps the seat at an adjustable height at all times.

Besides supplying the aftermarket, Aircraft also supplies leading global seat manufacturers.

Please check page 143 to 151 for our range of driver's seat air springs.





Systematic Management

Usage of high quality rubber, cord fabric and materials combined with our deep know how in producing air springs, our experienced team, state of the art machinery and modern testing facilities ensure the continuous development and improvement of all product lines and confirm the innovative force of Airkani. We are committed to continuous improvement and have established a Quality Management System which provides a framework for measuring and improving our performance. Our quality management system meets the high standards of ISO 9001 : 2008 and ISO/TS 16949 : 2009.



A Culture Where Quality Comes First



brand. At
st priority
world-class
e type air
d services

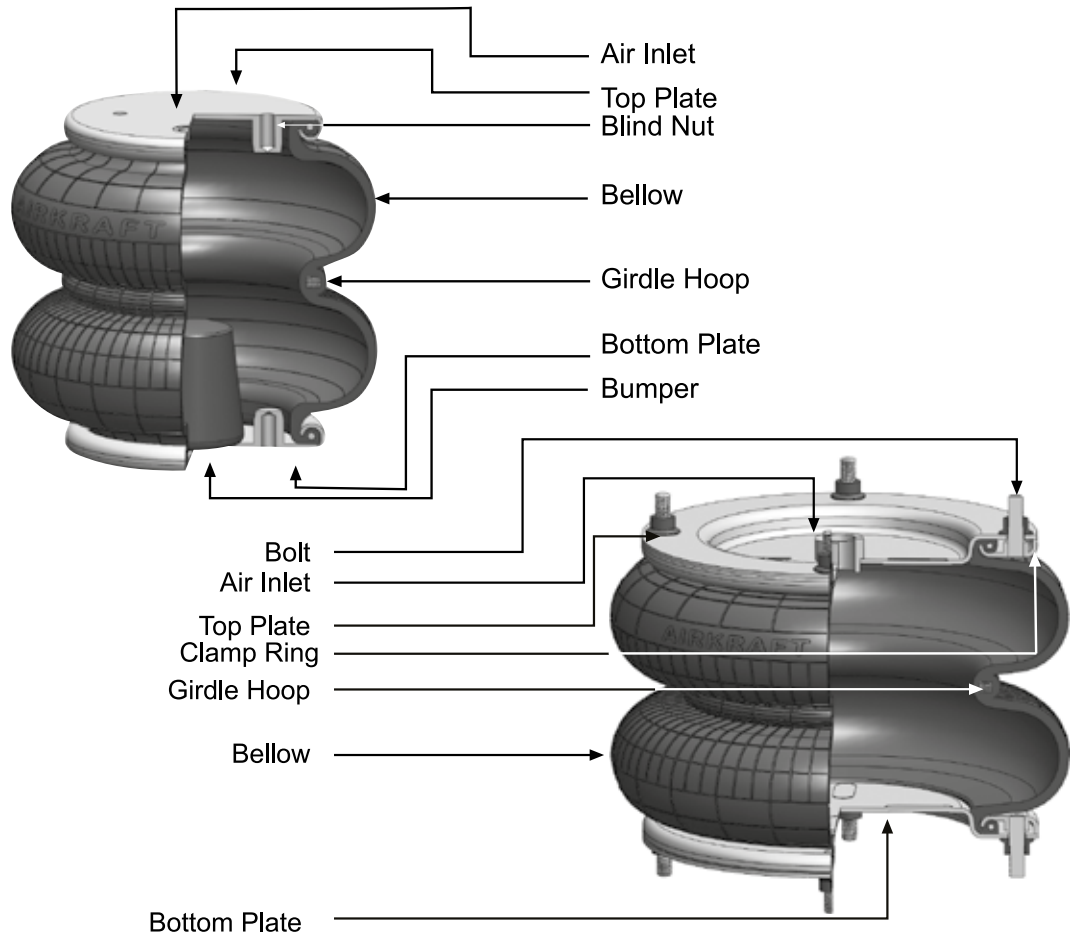


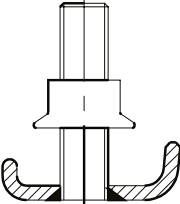
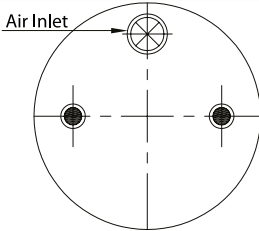




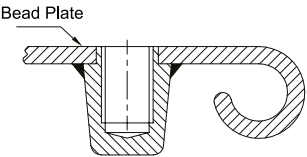
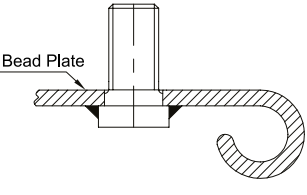
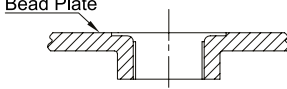
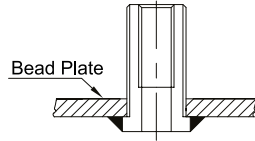


CONVOLUTED AIR SPRINGS



CONVOLUTED AIR SPRINGS COMPONENTS



Clamp Ring		HARDWARE KEY - SYMBOLS	
			Bolt / Stud
			Blind Nuts
			Air Inlet
			Combination studs/air inlet (Combo Stud)
Blind Nut	Bolt / Stud	Air Inlet	Combination stud/air inlet (Combo Stud)
			

All data in this catalogue are informational. A.I.R. Süspansiyon does not warrant the correctness or the completeness of these information and has the right to apply changes when necessary, without notice. A.I.R. Süspansiyon 2018 All rights reserved



PRO



TY

BARCODE

Barcoding system provides AIRKRAFT products a maximum traceability down to the raw material. Via the barcode number on the label, it is possible to answer all questions regarding the product, until the final customer.

Production Assembly Date

Order No

Old Reference

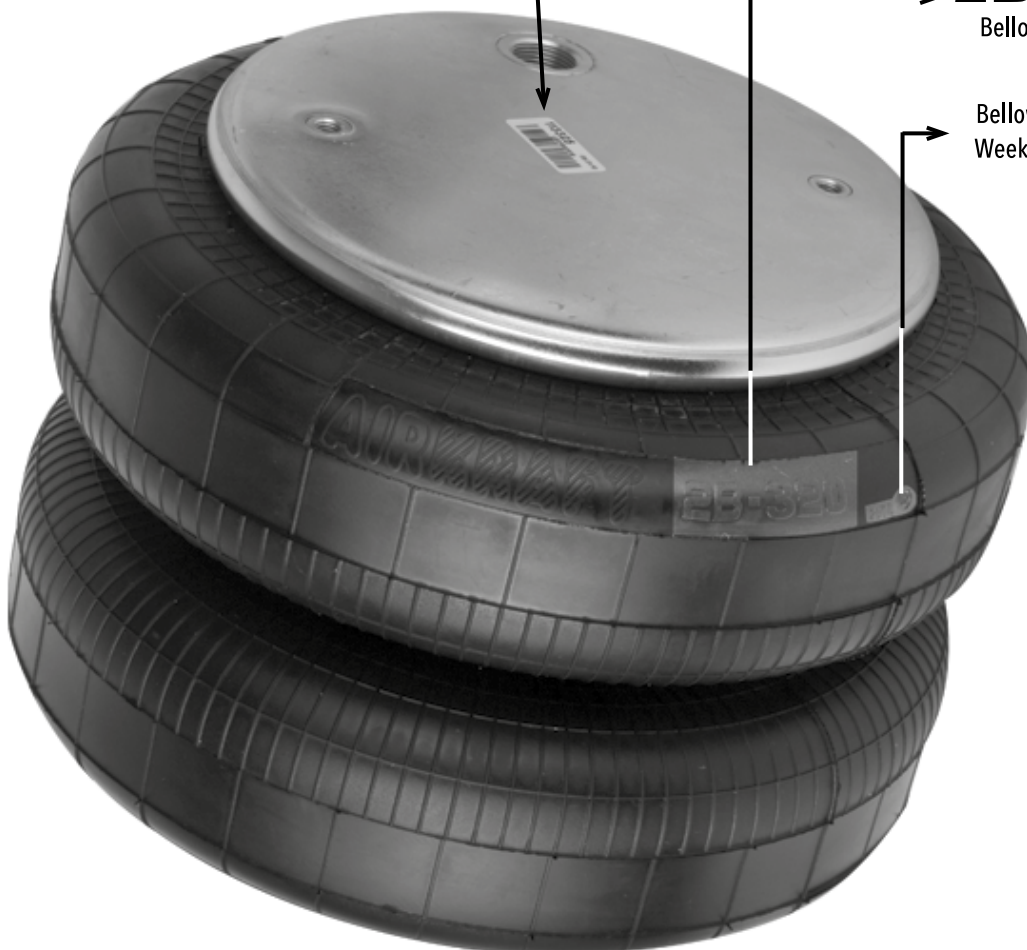
Barcode Tracking Number



2B-320

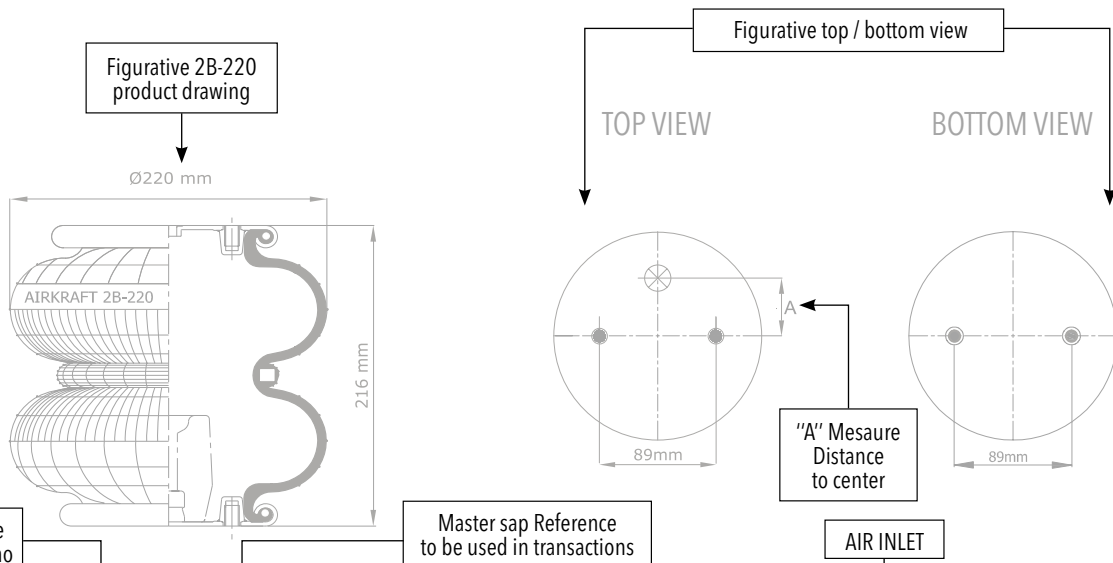
Bellow Style

Bellow Production
Week / Year



STYLE 2B - 220

Style of the bellow used in product



Previous reference replaced by order no

Master sap Reference to be used in transactions

Reference	Order No	Description	⊗	A
114001	11120143	Rubber bellow only		
113001	11120001	Top/bottom plate M10 (Blind nuts)	G1/4	44,4mm
113004	11120004	Top/bottom plate M8 (Blind nuts)	G3/4	38,1 mm
113005	11120005	Top/bottom plate M10 (Blind nuts)	G3/4	38,1mm
113008	11120008	Top/bottom plate M10 (Blind nuts), Bumper (90mm)	G1/4	44,4mm
113021	11120016	Top/bottom plate M10 (Bolts)	G1/4	44,4mm
113482	11120117	Top/bottom plate M8 (Blind nuts)	G1/4	44,4mm

2B-220 References for varying metal combinations

Cross no section the item is adaptable to

Reference	Order No	Adaptable Cross	Reference	Order No	Adaptable Cross						
114001	11120143	FIRESTONE FLEX 20	113004	11120004	CONTITECH FD 200-19 2682 045000						
		FIRESTONE W01-358-0138			WEFORMA WBZ 400 E1						
		PHOENIX 2B 12R			BOSCH 822419043						
		PIRELLI T20 86600			FESTO EB-250-185						
		CONTITECH FD 200-19 S / 895 N			NORGREN PM/31092 (9"¼x2)						
		GOODYEAR FLEX 578 9 2 3202			PHOENIX SP 2B 12R-1						
113001	11120001	FIRESTONE W01 M58 6887/W01 M58 6910	113005	11120005							
		PHOENIX SP 2B 12R			113008	11120008					
		PIRELLI T20					113021	11120016			
		CF GOMMA 206797							113482	11120117	FIRESTONE 20-T3 095.0255
		CONTITECH FD 200-19 1/4 M10 60336									CONTITECH FD 200-19 60336
		GOODYEAR 2B 9-223									GOODYEAR 556 2 2 8649
		DUNLOP (FR) 9"¼ SO 9201 NB									WEFORMA WBZ 400-E2
		GART T291/2 (291.2.200)									BOSCH 822419063

● BOLT / STUD ● BLIND NUT ⊗ COMBINATIONS STUD ⊗ AIR INLET A DISTANCE TO CENTER

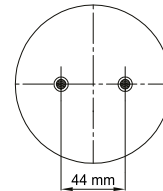
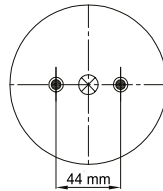
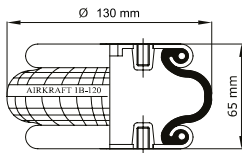
Symbols used in the drawing



STYLE 1B - 120

TOP VIEW

BOTTOM VIEW



Reference	Order No	Description	⊗
112002	11101013	Rubber bellow only	
111001	11101001	Top/bottom plate M8 (Blind nuts)	G1/4

Reference	Order No	Adaptable Cross	Reference	Order No	Adaptable Cross
112002	11101013	CONTITECH FS 50-5 62242	111001	11101001	FIRESTONE W01 M58 6140
		FIRESTONE FLEX 16			WEFORMA WBE 150-E1
		FIRESTONE W01 358 0010			BOSCH 1915041000
	CONTITECH FS 50-5 61388				

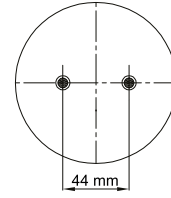
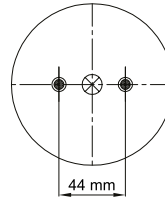
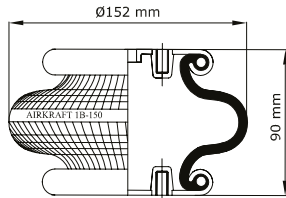
● BOLT / STUD ● BLIND NUT ⊗ COMBINATIONS STUD ⊗ AIR INLET



STYLE 1B - 150

TOP VIEW

BOTTOM VIEW



Reference	Order No	Description	⊗
112003	11101014	Rubber bellow only	
111002	11101002	Top/bottom plate M8 (Blind nuts)	G 1/4
111010	11101007	Top/bottom plate M10 (Blind nuts)	G 1/4

Reference	Order No	Adaptable Cross	Reference	Order No	Adaptable Cross
112003	11101014	CONTITECH FS 70-7 60512	111010	11101007	
		FIRESTONE FLEX 131			
		FIRESTONE W01 358 0131			
111002	11101002	PHOENIX SP 1B 05			
		CONTITECH FS 70-7 1/4 M8			
		WEFORMA WBE 200-E1			
		BOSCH 822419002			
		FESTO EB 165 65			
		FIRESTONE W01 M58 6155			

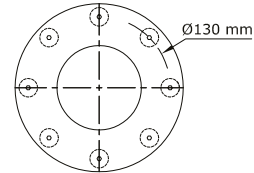
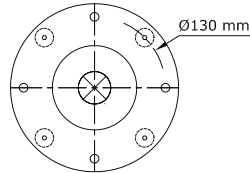
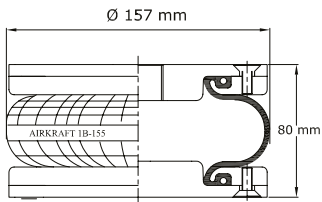
● BOLT / STUD ● BLIND NUT ⊗ COMBINATIONS STUD ⊗ AIR INLET



STYLE 1B - 155

TOP VIEW

BOTTOM VIEW



Reference	Order No	Description	⊗
112020	11101029	Rubber bellow only	
111020	11101028	Top/Bottom plastic plate M8	Rp 1/2

Reference	Order No	Adaptable Cross	Reference	Order No	Adaptable Cross
112020	11101029	SPRINGRIDE 6X1			
111020	11101028	SPRINGRIDE 6X1			
		DUNLOP DB 06110			
		DUNLOP DB 06110B			

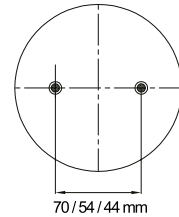
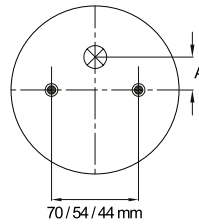
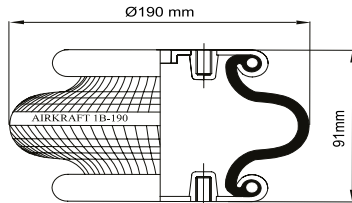
● BOLT / STUD ● BLIND NUT ⊗ COMBINATIONS STUD ⊗ AIR INLET



STYLE 1B - 190

TOP VIEW

BOTTOM VIEW



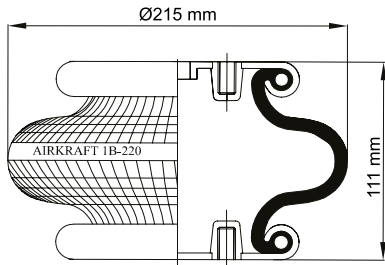
Reference	Order No	Description	⊗	A
112004	11101015	Rubber bellow only		
111003	11101003	Top/bottom plate M8 (Blind nuts),assembly axis 70mm	G3/4	center
111005	11101005	Top/bottom plate M8 (Blind nuts),assembly axis 70mm	G1/4	center
111013	11101008	Top/bottom plate M8 (Blind nuts),assembly axis 54mm	G1/4	26 mm
111015	11101009	Top/bottom plate M10 (Blind nuts),axis 44mm	G1/4	center

Reference	Order No	Adaptable Cross	Reference	Order No	Adaptable Cross
112004	11101015	CONTITECH FS 120-9 60479	111005	11101005	FIRESTONE W01 M58 6166
		FIRESTONE FLEX 116			CONTITECH FS 120-9 61358
		FIRESTONE W01 358 0133			DUNLOP (FR) 8"x1 S08100
111003	11101003	FIRESTONE W01 M58 6165	111013	11101008	WEFORMA WBE 300-E2
		CONTITECH FS120-9 2681 030 000			BOSCH 822419008
		DUNLOP (FR) 8"x1 S08101			PHOENIX SP 1 B 07
		WEFORMA WBE 300-E1			
		BOSCH 822419003			
		FESTO EB-215-80			
		NORGREN PM/31081 (8"x1)			

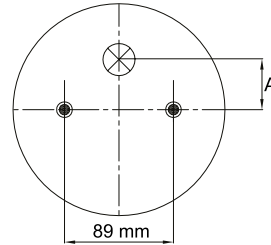
● BOLT / STUD ● BLIND NUT ⊗ COMBINATIONS STUD ⊗ AIR INLET A DISTANCE TO CENTER



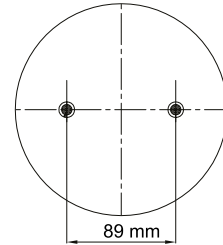
STYLE 1B - 220



TOP VIEW



BOTTOM VIEW



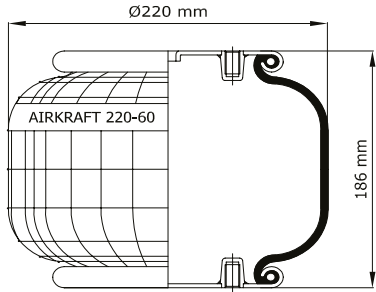
Reference	Order No	Description	⊗	A
112005	11101016	Rubber bellow only		
111004	11101004	Top/bottom plate M8 (Blind nuts)	G3/4	38,1mm
111006	11101006	Top/bottom plate M8 (Blind nuts)	G1/4	44,4 mm

Reference	Order No	Adaptable Cross		Reference	Order No	Adaptable Cross	
112005	11101016	CONTITECH	FS 200-10 60319	111006	11101006	CONTITECH	FS 200-10 60030
		FIRESTONE FLEX	115			FIRESTONE	W01 M58 6375
		FIRESTONE	W01 358 0118			BOSCH	822419009
111004	11101004	FIRESTONE	W01 M58 6374			WEFORMA	WBE 400-E2 / 410-E1
		CONTITECH	FS 200-10 2681 045 000				
		DUNLOP (FR)	9"1/4x1 S09101				
		WEFORMA	WBE 400-E1				
		BOSCH	822419004				
		FESTO	EB-250-85				
		NORGREN	PM/31091 (9"1/4x1)				

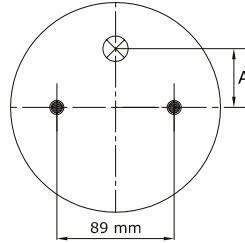
● BOLT / STUD ● BLIND NUT ⊗ COMBINATIONS STUD ⊗ AIR INLET A DISTANCE TO CENTER



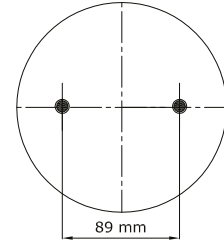
STYLE 220 - 60



TOP VIEW



BOTTOM VIEW



Reference	Order No	Description	⊗	A
112001	11101017	Rubber bellow only		
111152	11101011	Top/bottom plate M8 (17 mm Bolts)	1/4 NPT	44,4mm
111150	11101010	Top/bottom plate M10 (Blind nuts)	1/4 NPT	44,4 mm

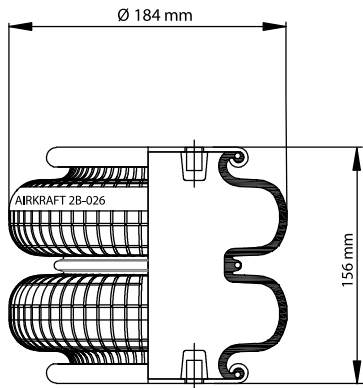
Reference	Order No	Adaptable Cross	Reference	Order No	Adaptable Cross
112001	11101017	GART T291/B	111152	11101011	BMC 57RS306423
111150	11101010	GART T291/B (291.1.170) MERCEDES-ACTROS-TURKEY			

● BOLT / STUD ● BLIND NUT ⊗ COMBINATIONS STUD ⊗ AIR INLET A DISTANCE TO CENTER

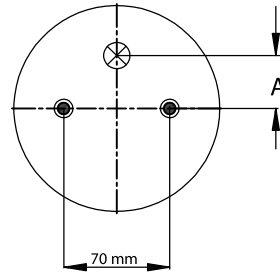


STYLE

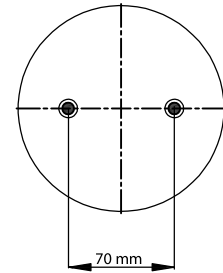
2B - 026



TOP VIEW



BOTTOM VIEW



Reference	Order No	Description	
114026	11120257	Rubber bellow only	
113040	11120235	Top/Bottom plate 3/8-16 UNC (blind nuts)	1/4-18 NPT

Reference	Order No	Adaptable Cross	Reference	Order No	Adaptable Cross
113040	11120235	FIRESTONE FLEX 26			
		FIRESTONE W01 358 7659			
		GOODYEAR 2B7-548			
		HENDRICKSON 005079			
		AUTOMANN ABSP 2B 07 RA-7659			

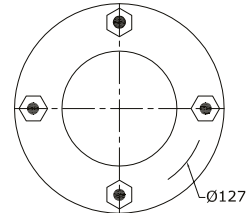
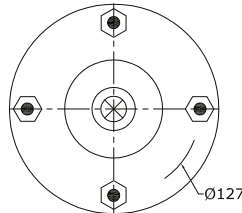
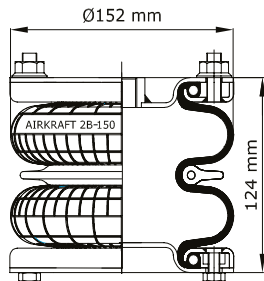
● BOLT / STUD ● BLIND NUT ⊗ COMBINATIONS STUD ⊗ AIR INLET Ø DISTANCE TO CENTER



STYLE 2B - 150

TOP VIEW

BOTTOM VIEW



Reference	Order No	Description	⊗
114053	11120147	Rubber bellow only	
113070	11120031	Top side only clamp rings M10 (Bolts), Bottom side only clamp rings M8 (Nuts)	
113071	11120032	Top plate M10 (Bolts), bottom plate M8 (Nuts)	G 1/2
113072	11120033	Top/Bottom side only clamp rings M10 (Bolts)	
113073	11120034	Top/Bottom plate M10 (Bolts)	G 1/2

Reference	Order No	Adaptable Cross	Reference	Order No	Adaptable Cross
114053	11120147	DUNLOP 6"x2 SP 917	113072	11120033	DUNLOP 6"x2
113070	11120031	DUNLOP 6"x2	113073	11120034	DUNLOP 6"x2 SP 1482
113071	11120032	DUNLOP DB 06219			

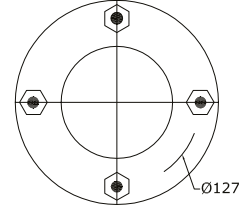
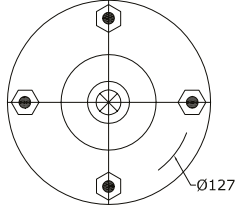
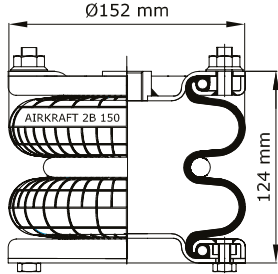
● BOLT / STUD ● BLIND NUT ⊗ COMBINATIONS STUD ⊗ AIR INLET



STYLE 2B - 150

TOP VIEW

BOTTOM VIEW



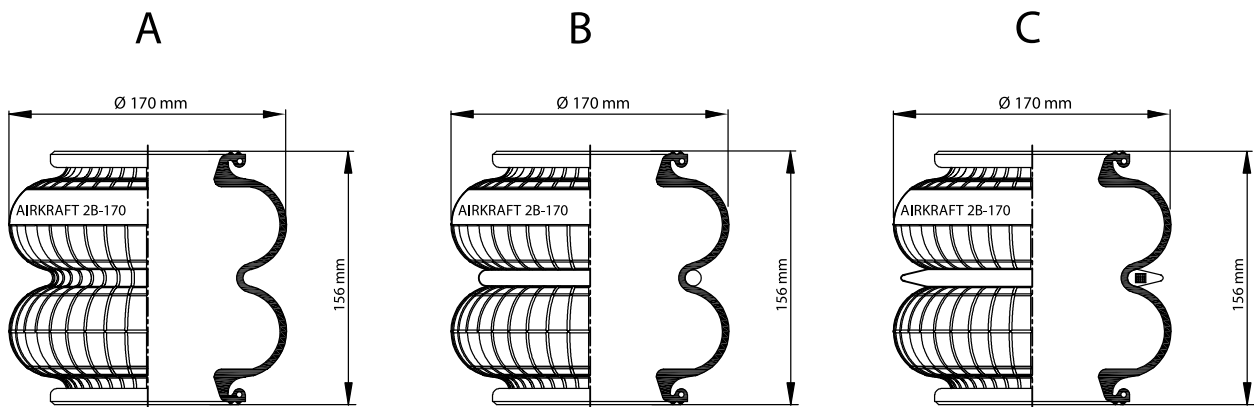
Reference	Order No	Description	⊗
114055	11120148	Rubber bellow only	
113074	11120035	Top plate M10 (Bolts), Bottom plate M8(Nuts)	G 1/2
113075	11120036	Top/Bottom Plate M10 (Bolts)	G 1/2

Reference	Order No	Adaptable Cross		Reference	Order No	Adaptable Cross	
114055	11120148	DUNLOP	6"x2	113075	11120036	DUNLOP	6"x2
113074	11120035	DUNLOP	6"x2			WEFORMA	WBZ-G 210
		PNEUMATIS	DB 06219			NORGREN	M/31062 (6"x2)

● BOLT / STUD ● BLIND NUT ⊗ COMBINATIONS STUD ⊗ AIR INLET



STYLE 2B - 170



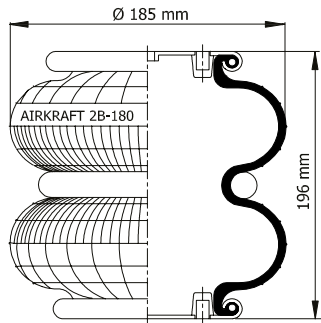
Reference	Order No	Description
114059	11120256	Rubber bellow only (Type A)
114058	11120255	Rubber bellow - with middle ring (Type B / metal ring)
114057	11120236	Rubber bellow - with middle ring (Type C / rubber ring)

Reference	Order No	Adaptable Cross	Reference	Order No	Adaptable Cross
114059	11120256	Rubena 170"x2			
114058	11120255	Rubena 170"x2			
114057	11120236	Rubena 170"x2			

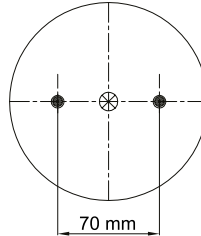
● BOLT / STUD ● BLIND NUT ⊙ COM



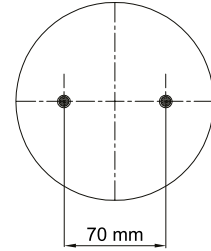
STYLE 2B - 180



TOP VIEW



BOTTOM VIEW



Reference	Order No	Description	⊗
114052	11120173	Rubber bellow only	
113056	11120025	Top/bottom plate M8 (blind nuts)	G1/4
113057	11120026	Top/bottom plate M10 (blind nuts)	G1/4

Reference	Order No	Adaptable Cross	Reference	Order No	Adaptable Cross
114052	11120173	FIRESTONE FLEX 26C			
		GOODYEAR FLEX 579-92-3-530			
113056	11120025				
113057	11120026				

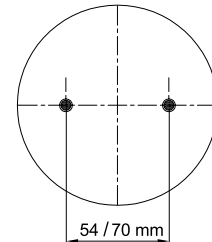
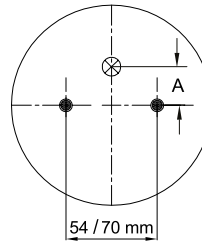
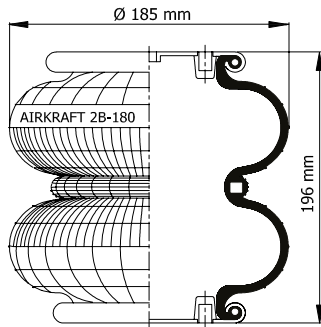
● BOLT / STUD ● BLIND NUT ⊗ COMBINATIONS STUD ⊗ AIR INLET



STYLE 2B - 180

TOP VIEW

BOTTOM VIEW



Reference	Order No	Description	⊗	A
114050	11120145	Rubber bellow only		
113052	11120021	Top/Bottom plate M8 (blind nuts), assembly axis 54mm	G1/4	26mm
113053	11120022	Top/Bottom plate M8 (blind nuts), assembly axis 70mm	G3/4	center
113054	11120023	Top/Bottom plate M8 (blind nuts), assembly axis 70mm	G1/4	center
113067	11120029	Top/Bottom plate 3/8-16 (blind nuts), assembly axis 70mm	1/4NPT	center
113068	11120030	Top/Bottom plate 3/8-16 (blind nuts), assembly axis 70mm	3/4NPT	center

Reference	Order No	Adaptable Cross	Reference	Order No	Adaptable Cross
114050	11120145	CONTITECH 603N	113054	11120023	FIRESTONE W01 M58 6353 / 0268 095.0275
		FIRESTONE FLEX 26			CONTITECH FD 120-17 61361
		FIRESTONE W01 358 0142			GOODYEAR 2B8-850
		PIRELLI 26			WEFORMA WBZ 300-E2
		PHOENIX 2 B 07 R			BOSCH 822419062
113052	11120021	GOODYEAR 2B 8-550	113067	11120029	FIRESTONE W01 358 7325
		PHOENIX SP 2B 07R			CONTITECH FD 120-20 509
113053	11120022	PIRELLI T26 84181			113068
		CONTITECH FD-120-17 2682 030000	HENDRICKSON 14395		
		FIRESTONE W01 M58 6387	FIRESTONE W01 358 7327		
		FIRESTONE W01 358 7325	GOODYEAR 2B8-552		
		CF GOMMA T26 / 84181			
		WEFORMA WBZ 300-E1			
		BOSCH 822419042			
		DUNLOP (FR) SO 8201			
		GOODYEAR 2B7-540 / 2B8-2152			
		FESTO EB-215-155			
		NORGREN PM/31082 (8"x2)			
TAURUS KF 218					

● BOLT / STUD

● BLIND NUT

⊗ COMBINATIONS STUD

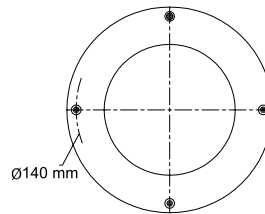
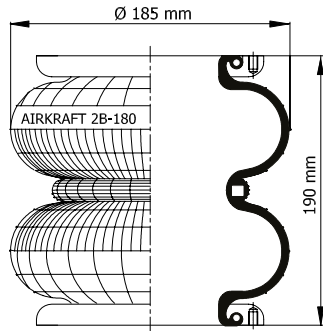
⊗ AIR INLET

A DISTANCE TO CENTER



STYLE 2B - 180

TOP & BOTTOM VIEW



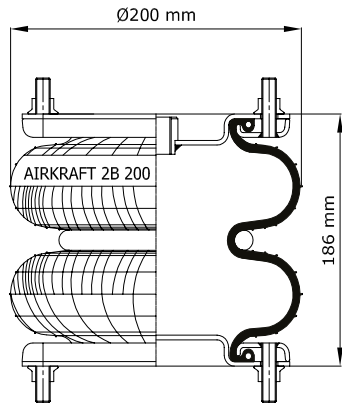
Reference	Order No	Description
114050	11120145	Rubber bellow only
113055	11120024	Top/Bottom side Flange (Steel) M6
113064	11120174	Top/Bottom side Flange (Steel) M8

Reference	Order No	Adaptable Cross	Reference	Order No	Adaptable Cross
114050	11120145	CONTITECH 603N	113064	11120174	
		FIRESTONE FLEX 26			
		FIRESTONE W01 358 0142			
		PIRELLI 26			
		PHOENIX 2 B 07 R			
113055	11120024				

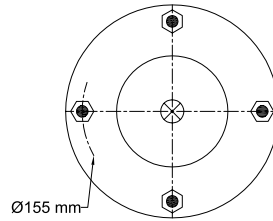
● BOLT / STUD ● BLIND NUT ⊗ COMBINATIONS STUD ⊗ AIR INLET ∅ DISTANCE TO CENTER



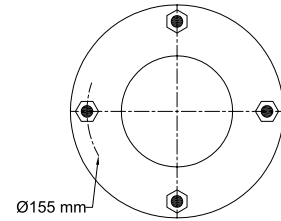
STYLE 2B - 200



TOP VIEW



BOTTOM VIEW



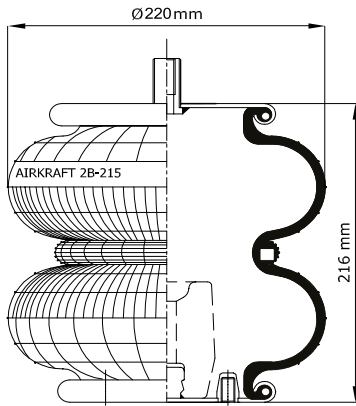
Reference	Order No	Description	⊗
114051	11120146	Rubber bellow only	
113060	11120027	Top/Bottom plate M10 (bolts)	RP 1/2
113062	11120028	Top/Bottom side only clamp ring M10	

Reference	Order No	Adaptable Cross	Reference	Order No	Adaptable Cross
114051	11120146	CONTITECH FD 138-185	113062	11120028	
		FIRESTONE FLEX 8x2			
		DUNLOP 8"x2			
		GOODYEAR FLEX 578 923 2150			
113060	11120027	DUNLOP (FR) SP 1490(8"x2) / SP918			
		CONTITECH FD 138-18 1/2M10			
		GOODYEAR 2B8-2150			
		WEFORMA WBZ-G 350			
		NORGREN M/31082 (8"x2)			
		DUNLOP (UK) PNP305500112			
		FIRESTONE W01-R58-4055			

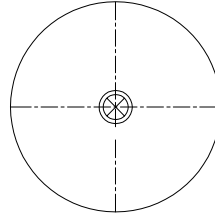
● BOLT / STUD ● BLIND NUT ⊗ COMBINATIONS STUD ⊗ AIR INLET Ø DISTANCE TO CENTER



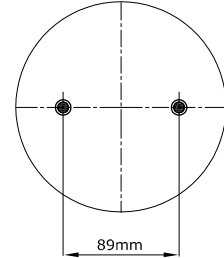
STYLE 2B - 215



TOP VIEW



BOTTOM VIEW



Reference	Order No	Description	⊗
114005	11120175	Rubber bellow only	
113015	11120013	Bottom plate Blind nuts M10, Bumper (90mm)	M20X1.5-M12X1.5

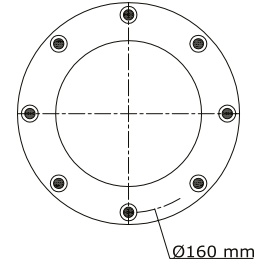
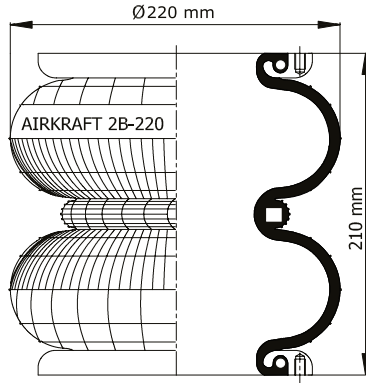
Reference	Order No	Adaptable Cross		Reference	Order No	Adaptable Cross
114005	11120175	CONTITECH	FS 70-7 60512			
113015	11120013	PHOENIX	SP 2B 12R-12			
		Truck in Turkey				
		HENDRICKSON	HS 507907/P			

● BOLT / STUD ● BLIND NUT ⊗ COMBINATIONS STUD ⊗ AIR INLET



STYLE 2B - 220

TOP & BOTTOM VIEW



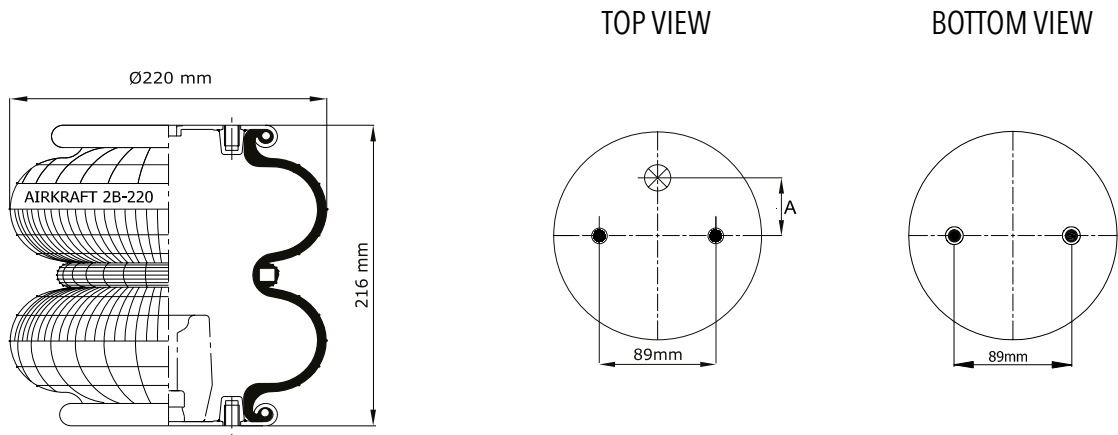
Reference	Order No	Description
114001	11120143	Rubber bellow only
113006	11120006	Top/Bottom side Flange (Steel) 4xM8
113546	11120135	Top/Bottom side Flange (Steel) 4xM8

Reference	Order No	Adaptable Cross	Reference	Order No	Adaptable Cross		
114001	11120143	FIRESTONE FLEX 20	113006	11120006			
		FIRESTONE W01-095-0009			113546	11120135	FIRESTONE 095.0023
		FIRESTONE W01-358-0297					GOODYEAR 556 2 2 8425
		PHOENIX 2B 12R					
		PIRELLI T20 86600					
		CONTITECH FD 200-19 S / 895 N / 72021					
		GOODYEAR FLEX 578 9 2 3211					
CF GOMMA 20/86599							

● BOLT / STUD ● BLIND NUT ⊗ COMBINATIONS STUD ⊗ AIR INLET ∅ DISTANCE TO CENTER



STYLE 2B - 220



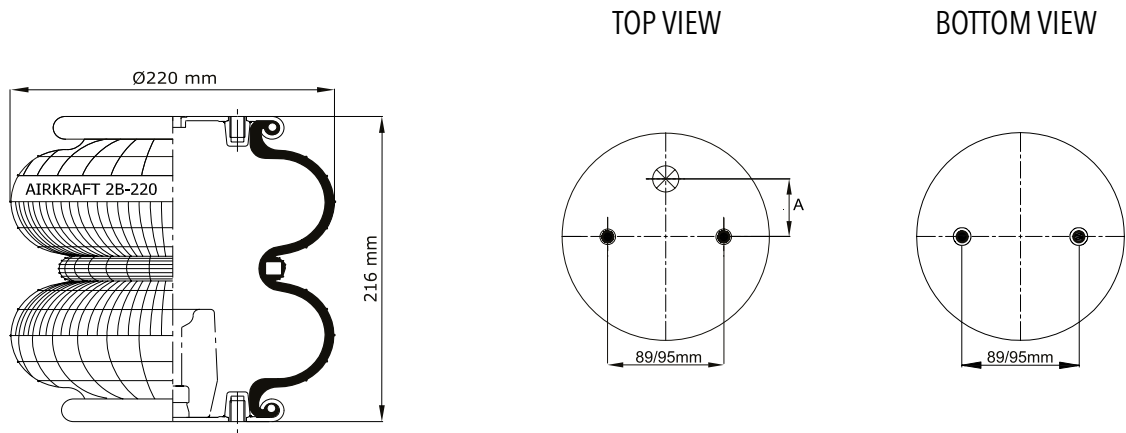
Reference	Order No	Description	⊗	A
114001	11120143	Rubber bellow only		
113001	11120001	Top/bottom plate M10 (Blind nuts)	G1/4	44,4mm
113004	11120004	Top/bottom plate M8 (Blind nuts)	G3/4	38,1 mm
113005	11120005	Top/bottom plate M10 (Blind nuts)	G3/4	38,1mm
113008	11120008	Top/bottom plate M10 (Blind nuts), Bumper (90mm)	G1/4	44,4mm
113021	11120016	Top/bottom plate M10 (Bolts)	G1/4	44,4mm
113482	11120117	Top/bottom plate M8 (Blind nuts)	G1/4	44,4mm

Reference	Order No	Adaptable Cross	Reference	Order No	Adaptable Cross
114001	11120143	FIRESTONE FLEX 20	113004	11120004	CONTITECH FD 200-19 72046
		FIRESTONE W01-095-0009			WEFORMA WBZ 400 E1
		FIRESTONE W01-358-0297			FIRESTONE W01-M58-6185
		PHOENIX 2B 12R			BOSCH 822419043
		PIRELLI T20 86600			FESTO EB-250-185
		CONTITECH FD 200-19 S / 895 N / 72021			NORGREN PM/31092 (9"1/4x2)
		GOODYEAR FLEX 578 9 2 3211			PHOENIX SP 2B 12R-1
		CF GOMMA 20/86599			
113001	11120001	FIRESTONE W01-M58-6887	113008	11120008	
		FIRESTONE W01-M58-6910	113021	11120016	
		FIRESTONE W01-M58-7887	113482	11120117	FIRESTONE W01-M58-7679
		PHOENIX SP 2B 12R			FIRESTONE W01-M58-6187
		PIRELLI T20			CONTITECH FD 200-19 72045
		CF GOMMA 206797			GOODYEAR 556 2 2 8649
		CONTITECH FD 200-19 1/4 M10 72047			WEFORMA WBZ 400-E2
		GOODYEAR SPRINGRIDE 2B 9-223			BOSCH 822419063
		DUNLOP (FR) SO 9201 NB			DUNLOP (FR) 9"1/4 S09201
		DUNLOP (UK) 01128A-AP			
		GART T291/2 (291.2.200)			

● BOLT / STUD ● BLIND NUT ⊗ COMBINATIONS STUD ⊗ AIR INLET A DISTANCE TO CENTER



STYLE 2B - 220



Reference	Order No	Description	⊗	A
113474	11120110	Top plate M12 (Bolts), Bottom plate M8 (Blind nuts), Bumper (90mm)	1/4 NPT	44,4mm
113017	11120014	Top/bottom plate 3/8-16 (Blind nuts)	1/4 NPT	44,4mm
113027	11120018	Top/bottom plate 3/8-16 (Blind nuts), Bumper (96mm)	1/4 NPT	44,4mm
113028	11120019	Top plate 1/2"-13 (Bolts)/Bottom plate 3/8-16 (Blind nuts) Bumper-96 mm	1/4 NPT	44,4mm
113487	11120120	Top/bottom plate 3/8"-16 UNC (Blind nuts)	3/4 NPT	44,4mm
113003	11120003	Top/bottom plate M10 (Blind nuts), Assembly axis 95 mm	M12X1.5	44,4mm

Reference	Order No	Adaptable Cross		Reference	Order No	Adaptable Cross	
113474	11120110	FIRESTONE	20-T3 095.0313	113028	11120019	FIRESTONE	W01 358 6905
		GOODYEAR	556 2 2 8521			CONTITECH	FD 200-19 315
113017	11120014	FIRESTONE	W01 358 6910	113487	11120120	GOODYEAR	2B9-206 / 578 9 2 3202
		CONTITECH	FD 200-19 320			TAURUS	KF218-6905
		GOODYEAR	2B9-200			HENDRICKSON	B-3518 / 5270 / 45843-1
		TAURUS	KF218-6910			FIRESTONE	W01-358-6900
		HENDRICKSON	B-8768 / 45843-3			CONTITECH	FD 200-19 319 / 161017
113027	11120018	FIRESTONE	W01 358 6902	113003	11120003	GOODYEAR	2B9-216 / 578 9 2 3202
		CONTITECH	FD 200-19 310			DUNLOP (FR)	9"¼ 50 9203
		GOODYEAR	2B9-201 / 578 9 2 3202				
		GOODYEAR	2B9-239 / 578 9 2 3211				
		TAURUS	KF218-6902				
		HENDRICKSON	S-2630				
		DUNLOP (UK)	PNP 037 690 200				

● BOLT / STUD

● BLIND NUT

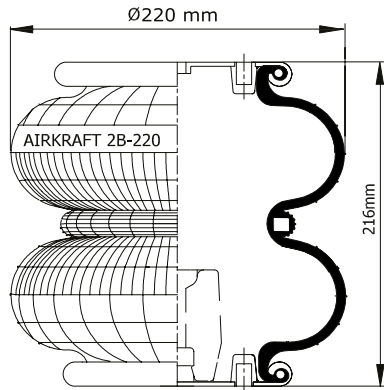
⊗ COMBINATIONS STUD

⊗ AIR INLET

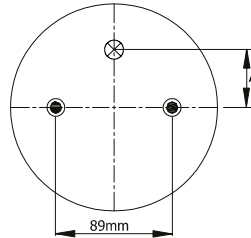
A DISTANCE TO CENTER



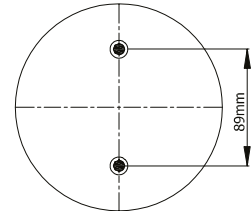
STYLE 2B - 220



TOP VIEW



BOTTOM VIEW



Reference	Order No	Description	⊗	A
114001	11120143	Rubber bellow only		
113002	11120002	Top/bottom plate M10 (Blind nuts)	M12X1.5	44,4mm
113018	11120015	Top/bottom plate M10 (Blind nuts)	M14X1.5	44,4mm
113549	11120138	Top/bottom plate M10 (Blind nuts)	G1/4	44,4mm
113501	11120129	Top plate 1/2"-13UNC (Bolts)/Bottom plate 3/8"-16UNC (Blind nuts)	1/4 NPT	44,4mm

Reference	Order No	Adaptable Cross	Reference	Order No	Adaptable Cross
114001	11120143	FIRESTONE FLEX 20	113018	11120015	CONTITECH FD 200-19 53863
		FIRESTONE W01-095-0009			GOODYEAR SPRINGRIDE 2B9-729
		FIRESTONE W01-358-0297			GOODYEAR SPRINGRIDE 2B9-613
		PHOENIX 2B 12R			GOODYEAR SPRINGRIDE 2B9-742
		PIRELLI T20 86600			FIRESTONE W01-M58-6891
		CONTITECH FD 200-19 S / 895 N / 72021			113549 11120138 PHOENIX 2B 12R-8
		GOODYEAR FLEX 578 9 2 3211			113501 11120129 FIRESTONE W01 358 6890
CF GOMMA 20/86599	CONTITECH FD 200-19 539 / 161303				
113002	11120002	FIRESTONE W01 M58 7894			
		CONTITECH FD 200-19 P04/895 N/72044			
		PHOENIX 2B 12R-5			
		PIRELLI T20 86660			
		DUNLOP (FR) S09201			
		GOODYEAR SPRINGRIDE 2B9-700			
		TAURUS KF 216			
		GART T291/2 2912203			
CF GOMMA 20/207773					

● BOLT / STUD

● BLIND NUT

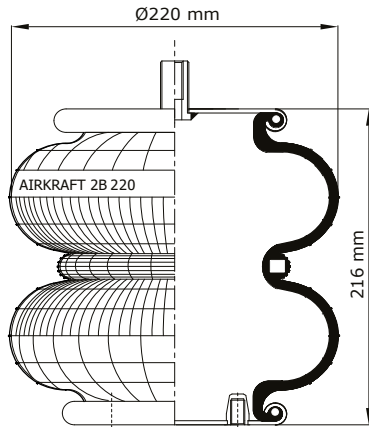
⊗ COMBINATIONS STUD

⊗ AIR INLET

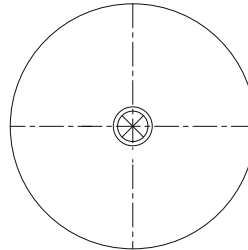
A DISTANCE TO CENTER



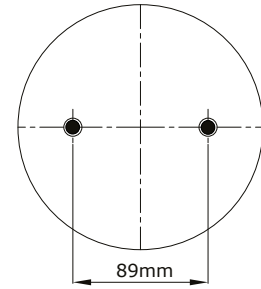
STYLE 2B - 220



TOP VIEW



BOTTOM VIEW



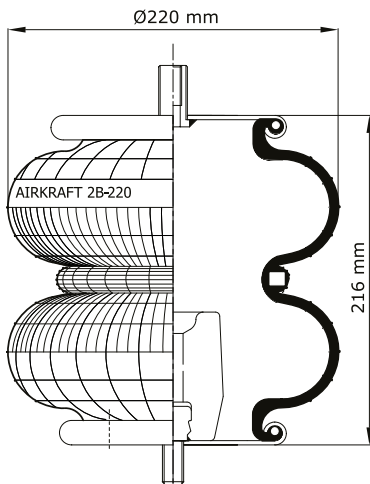
Reference	Order No	Description	⊗
114001	11120143	Rubber bellow only	
113475	11120111	Bottom plate M8 (Blind Nuts)	M18x2.5+M12x1.5
113082	11120250	Bottom plate M10 (blind nuts)	M24x1,5 +M16x1,5

Reference	Order No	Adaptable Cross	Reference	Order No	Adaptable Cross		
114001	11120143	FIRESTONE FLEX 20	113475	11120111	FIRESTONE 20 T3 095.0353		
		FIRESTONE W01-095-0009			GOODYEAR 556 2 2 8520		
		FIRESTONE W01-358-0297			113082	11120250	FIRESTONE W01-M58-7756
		PHOENIX 2B 12R					CONTITECH FD200-19 P02
		PIRELLI T20 86600					GOODYEAR 2B9-234
		CONTITECH FD 200-19 S / 895 N / 72021					PHOENIX SP 2B 12R-17
		GOODYEAR FLEX 578 9 2 3211					CF GOMMA T20L / 207065
CF GOMMA 20/86599							

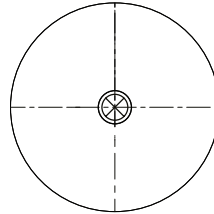
● BOLT / STUD ● BLIND NUT ⊗ COMBINATIONS STUD ⊗ AIR INLET



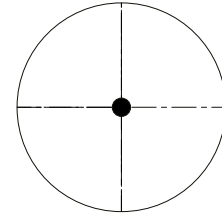
STYLE 2B - 220



TOP VIEW



BOTTOM VIEW



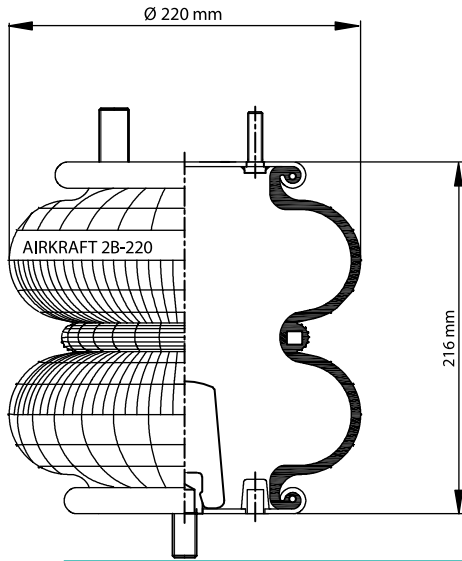
Reference	Order No	Description	⊙
114001	11120143	Rubber bellow only	
113026	11120017	Bottom Plate 1/2"-13UNC (Bold)	3/4"-16 UNC + 1/4 NPT
113541	11120176	Bottom Plate 1/2"-13UNC (Bold) Bumper- 96 mm	3/4"-16 UNC + 1/4 NPT
113014	11120210	Bottom plate 1/2-13 UNC (Bold), Bumper 83mm	3/4 NPT + 1/4 NPT

Reference	Order No	Adaptable Cross	Reference	Order No	Adaptable Cross		
114001	11120143	FIRESTONE FLEX 20	113026	11120017	FIRESTONE W01-358-6897		
		FIRESTONE W01-095-0009			GOODYEAR 2B9-229		
		FIRESTONE W01-358-0297			CONTITECH FD 200-19 505 / 161300		
		PHOENIX 2B 12R	113541	11120176			
		PIRELLI T20 86600			113014	11120210	FIRESTONE W01-358-7788
		CONTITECH FD 200-19 S / 895 N / 72021					CONTITECH FD200-19 510
		GOODYEAR FLEX 578 9 2 3211					GOODYEAR 2B9-245 / 578 9 2 3202
CF GOMMA 20/86599							

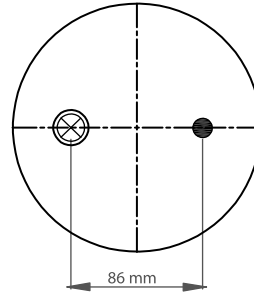
● BOLT / STUD ● BLIND NUT ⊙ COMBINATIONS STUD ⊗ AIR INLET



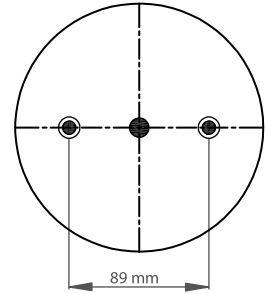
STYLE 2B - 220



TOP VIEW



BOTTOM VIEW



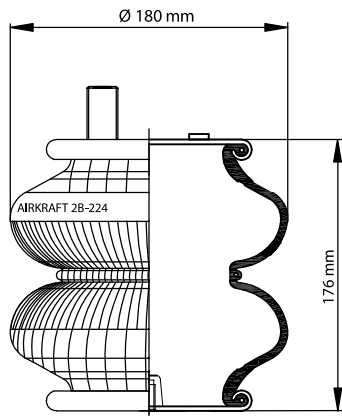
Reference	Order No	Description	⊗
114001	11120143	Rubber bellow only	
113081	11120249	Top plate 1/2"-13 UNC (bold), / Bottom plate 3/8"-16 UNC (blind nuts) and 1/2-13 UNC (bold)	3/4"-16 UNC + 1/4"-18 NPT

Reference	Order No	Adaptable Cross	Reference	Order No	Adaptable Cross
114001	11120143	FIRESTONE FLEX 20			
		FIRESTONE W01-095-0009			
		FIRESTONE W01-358-0297			
		PHOENIX 2B 12R			
		PIRELLI T20 86600			
		CONTITECH FD 200-19 S / 895 N / 72021			
		GOODYEAR FLEX 578 9 2 3211			
		CF GOMMA 20/86599			
113081	11120249	FIRESTONE W01 358 6932			
		CONTITECH FD200-19 452			
		GOODYEAR 2B9-246			

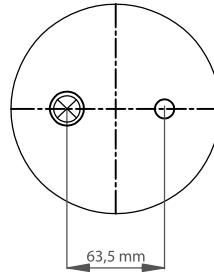
● BOLT / STUD ● BLIND NUT ⊗ COMBINATIONS STUD ⊗ AIR INLET



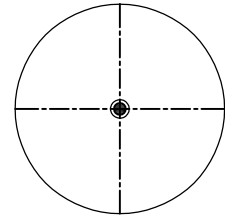
STYLE 2B - 224



TOP VIEW



BOTTOM VIEW



Reference	Order No	Description	
113440	11120230	Top plate Ø12,7 (pin), / Bottom plate 3/8"-16 UNC (blind nut)	3/4"-16 UNC + 1/4"-18 NPT

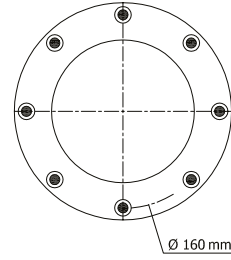
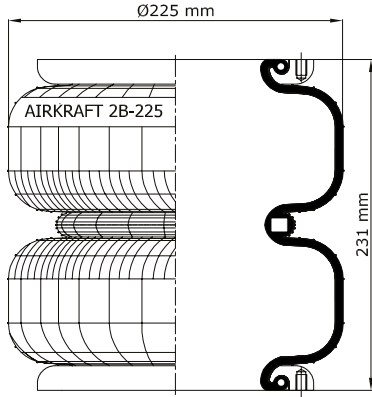
Reference	Order No	Adaptable Cross	Reference	Order No	Adaptable Cross
113440	11120230	FIRESTONE FLEX 224C			
		FIRESTONE A01-760-6401			
		FORD F250/F350 (REAR)			
		DODGE RAM 1500-2500-3500 MEGA CAB (REAR)			

● BOLT / STUD ● BLIND NUT ⊗ COMBINATIONS STUD ⊗ AIR INLET



STYLE 2B - 225

TOP & BOTTOM VIEW



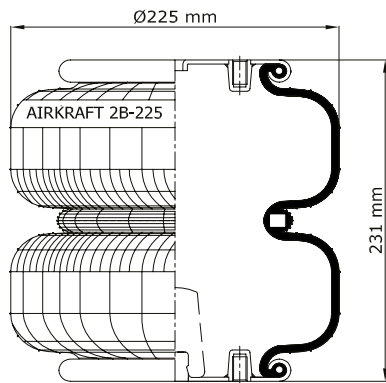
Reference	Order No	Description
114004	11120144	Rubber bellow only
113547	11120136	Top/ Bottom Side Flange (Steel) 8XM8

Reference	Order No	Adaptable Cross		Reference	Order No	Adaptable Cross	
114004	11120144	CONTITECH	FD200-25 S	113547	11120136	FIRESTONE	095.0318
		GOODYEAR FLEX	578 9 2 3206			GOODYEAR	556 2 2 8418
		FIRESTONE	095.0234				
		FIRESTONE FLEX	20-2				

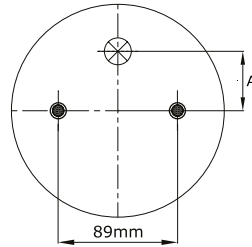
● BOLT / STUD ● BLIND NUT ⊙ COMBINATIONS STUD ⊗ AIR INLET ∅ DISTANCE TO CENTER



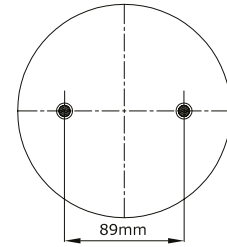
STYLE 2B - 225



TOP VIEW



BOTTOM VIEW



Reference	Order No	Description	⊗	A
114004	11120144	Rubber bellow only		
113010	11120009	Top/bottom plate M10 (Blind nuts)	1/4NPT	44,4mm
113012	11120011	Top/bottom plate M10 (Blind nuts)	G1/4	44,4mm
113473	11120109	Top/bottom plate M8 (Blind nuts) Bumper-96 mm	1/4 NPT	44,4mm
113481	11120116	Top/bottom plate M10 (Blind nuts)	M12X1,5	44,4mm
113483	11120118	Top/bottom plate M8 (Blind nuts)	G3/4	38,1mm
113484	11120119	Top/bottom plate M8 (Blind nuts)	G1/4	44,4mm
113488	11120121	Top/bottom plate 3/8"-16 UNC (Blind nuts)	1/4 NPT	44,4mm
113489	11120122	Top/bottom plate 3/8"-16 UNC (Blind nuts)	3/8 NPT	38,1mm
113506	11120131	Top plate M12 (Bolts) Bottom Plate M8 (Blind nuts) Bumper 90 mm	1/4 NPT	44,4mm
113550	11120139	Top plate M12 (Bolts) Bottom Plate M8 (Blind nuts) Bumper 90 mm	M16X1,5	44,4mm
113013	11120012	Top plate 1/2"-13 UNC (Bolts) Bottom Plate 3/8- 16 UNC Bumper 90 mm	1/4 NPT	44,4mm
113502	11120130	Top plate 1/2"-13 UNC (Bolts) Bottom Plate 3/8- 16 UNC	1/4 NPT	44,4mm

Reference	Order No	Adaptable Cross	Reference	Order No	Adaptable Cross				
113010	11120009	FIRESTONE W01 M58 7679	113473	11120109	GOODYEAR 556 2 2 8656				
		FIRESTONE W01 M58 7394			CONTITECH FD 200-25 / 60382				
		CF GOMMA 20L/207776			WEFORMA WBZ 430-E1				
		DUNLOP (FR) S0 9280			113484	11120119	FIRESTONE W01-M58-6183		
		GOODYEAR 2B 9-269					CONTITECH FD 200-25/60555		
		GART T291/2B (291.2.260)					WEFORMA WBZ 430-E2		
		VIBRACOUSTIC VSP 2B 12RA-10					113488	11120121	FIRESTONE W01-358-6951
		PHOENIX SP2B12R-A-10			GOODYEAR 2B 9-257				
113012	11120011	DUNLOP (FR) 9"¼ x2 S0 9280	113489	11120122	FIRESTONE W01-358-6952				
		FIRESTONE 20-2 T3 095.0256			113506	11120131	FIRESTONE 095.0327		
		FIRESTONE W01-968-6771					GOODYEAR 556 2 2 8657		
		PHOENIX SP2B12R-A-10					113550	11120139	GOODYEAR 556 2 2 8406
		CONTITECH FD 200-25 / 1/4 M10 (62892)							113013
113481	11120116	PHOENIX SP2B12R-A-3	113502	11120130	CONTITECH FD 200-25 429 / 161335				
		GOODYEAR 2B9-701 / 578 9 2 3206			GOODYEAR 2B9-251 / 578 9 2 3206				
		CF GOMMA 20L			FIRESTONE W01-358-6943				
		DUNLOP (FR) S09204			CONTITECH FD 200-25 426 / 161 332				
		GART T291/2B (291.2.263)			GOODYEAR 2B9-250 / 578 9 2 3206				

● BOLT / STUD

● BLIND NUT

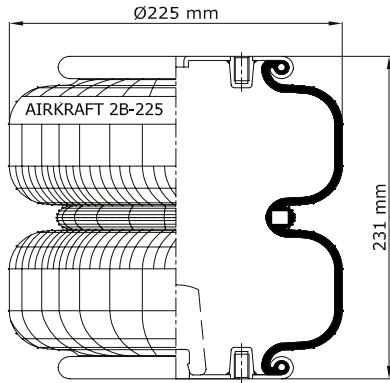
⊗ COMBINATIONS STUD

⊗ AIR INLET

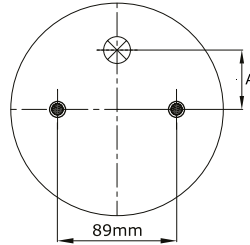
A DISTANCE TO CENTER



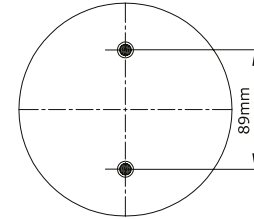
STYLE 2B - 225



TOP VIEW



BOTTOM VIEW



Reference	Order No	Description	⊗	A
113011	11120010	Top/bottom plate M10 (Blind nuts)	1/4NPT	44,4mm
113038	11120020	Top/bottom plate M10 (Blind nuts)	M14X1,5	44,4mm
113476	11120112	Top/bottom plate M10 (Blind nuts)	M12X1,5	44,4mm

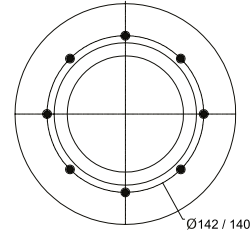
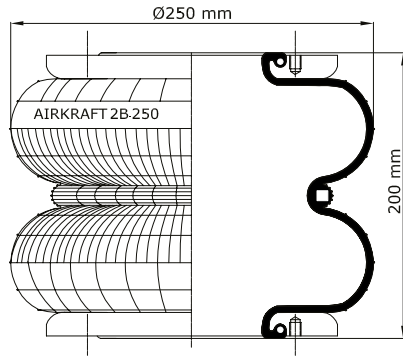
Reference	Order No	Adaptable Cross	Reference	Order No	Adaptable Cross
113011	11120010	FIRESTONE W01 S05 7182			
113038	11120020	FIRESTONE W01 M58 6891			
		W01 M58 7182			
113476	11120112	PHOENIX SP2B12R-A-3			
		GOODYEAR 2B9-70 1			
		VIBRACOUSTIC VSP2B12RA-3			
		CF GOMMA 20L/207065			
		DUNLOP S09204			
		GART T291/2B-291.2.263			

● BOLT / STUD ● BLIND NUT ⊗ COMBINATIONS STUD ⊗ AIR INLET A DISTANCE TO CENTER



STYLE 2B - 250/HYD

TOP & BOTTOM VIEW



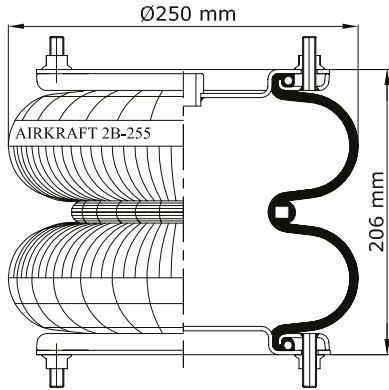
Reference	Order No	Description
Two Ply Bellows		
114150	11120150	Rubber bellow only
113151	11120043	Top/Bottom side Flange (Aluminum) 8XM8, Blind Nuts Axis Ø142mm
High Strength Bellows - Four Ply		
114151	11120151	Rubber bellow only
113150	11120042	Top/Bottom side Flange (Aluminum) 8XM8, Blind Nuts Axis Ø142mm
113551	11120140	Top/Bottom side Flange (Aluminum) 8XM8, Blind Nuts Axis Ø140mm

Reference	Order No	Adaptable Cross		Reference	Order No	Adaptable Cross	
114150	11120150	FIRESTONE	W01 095 0219	114151	11120151	CONTITECH	620 N Hydro
		CONTITECH	620 N			PIRELLI	T245 BV
		PHOENIX	2B 15 R			CF GOMMA	245 BV / 92142
		PIRELLI	T245 93625	113150	11120042	CONTITECH	620 M Hydro / 2680898006
		VIBRACOUSTIC	V2B15R			PIRELLI	T245 BV 92141
113151	11120043	PIRELLI	T245 93740	113551	11120140		

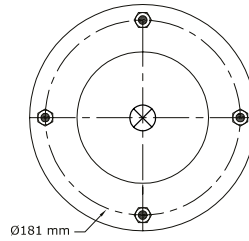
● BOLT / STUD ● BLIND NUT ⊗ COMBINATIONS STUD ⊗ AIR INLET ∅ DISTANCE TO CENTER



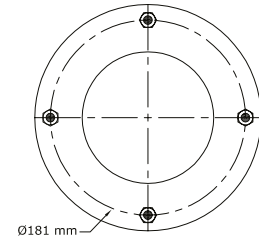
STYLE 2B - 255



TOP VIEW



BOTTOM VIEW



Reference	Order No	Description	⊗
114100	11120149	Rubber bellow only	
113100	11120038	Top/bottom plate M10 (bolts)	RP 1/2
113101	11120039	Top/Bottom side only clamp ring M10 (bolts)	
113103	11120040	Top/bottom plate M10(bolts)	M22X1.5

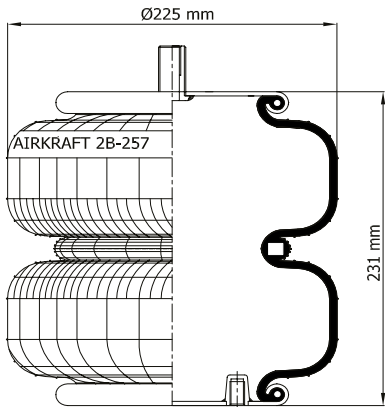
Reference	Order No	Adaptable Cross		Reference	Order No	Adaptable Cross	
114100	11120149	FIRESTONE	W01 095 0175	113101	11120039	DUNLOP (FR)	SP 1003 (10"x2)
		CONTITECH	FD 210-22 S	113103	11120040		
		DUNLOP (FR)	10"x2 SP 920				
113100	11120038	CONTITECH	FD 210-22 1/2 M10				
		DUNLOP (FR)	SP 1538 (10"x2)				
		FIRESTONE	W01-R58-4058				
		GOODYEAR	2B10-2350				
		WEFORMA	WBZ-G 450				
		NORGREN	M/31102 (10"x2)				

● BOLT / STUD ● BLIND NUT ⊗ COMBINATIONS STUD ⊗ AIR INLET

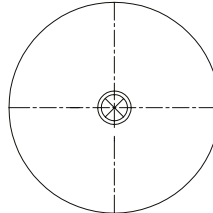


STYLE

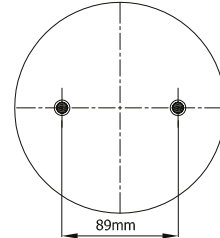
2B - 257



TOP VIEW



BOTTOM VIEW



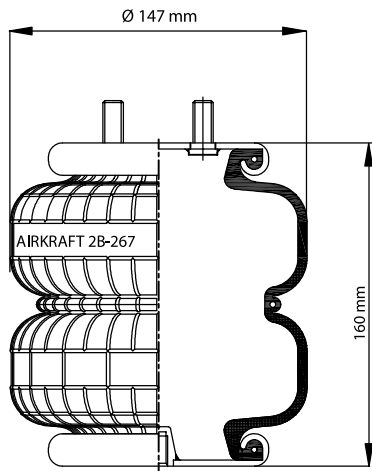
Reference	Order No	Description	⊗
113508	11120133	Bottom Plate (Blind nuts) M8	M18X2.5-M12X1.5

Reference	Order No	Adaptable Cross	Reference	Order No	Adaptable Cross
113508	11120133	FIRESTONE 257-1 095.0439			
		GOODYEAR 556 2 3 8342/556 2 2 8418			

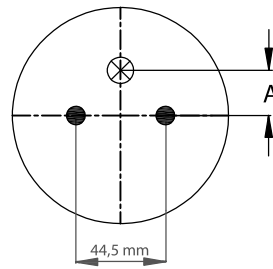
● BOLT / STUD ● BLIND NUT ⊗ COMBINATIONS STUD ⊗ AIR INLET



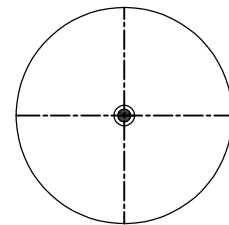
STYLE 2B - 267



TOP VIEW



BOTTOM VIEW



Reference	Order No	Description	⊗	A
114430	11120211	Rubber Bellow only		
113430	11120212	Top plate 3/8"-16 (bolts), Bottom plate 3/8"-16 (blind nuts)	1/4 NPT	22,3 mm

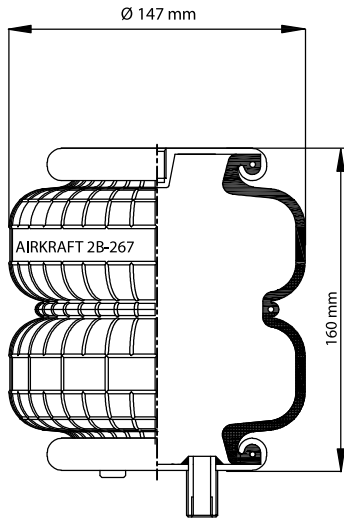
Reference	Order No	Adaptable Cross	Reference	Order No	Adaptable Cross
114430	11120211	FIRESTONE 267C1.5			
113430	11120212	FIRESTONE FLEX 267C1.5			
		FIRESTONE W21-760-6781			
		CHEVROLET C&R 10.20.30.3500 (4X2 only)			
		DODGE RAM 1500-2500-3500 (4X2, 4X4)			
		FORD BRONCO FULL SIZE (4X4)			
		FORD F-100, F-150, 5-250, F-350, PICKUPS (4X2, 4X4)			
		FORD F-250, F-350 OVER 8500 GVWR (4X2, 4X4)			

● BOLT / STUD ● BLIND NUT ⊗ COMBINATIONS STUD ⊗ AIR INLET

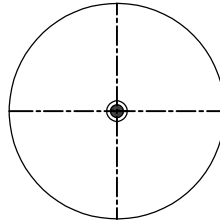


STYLE

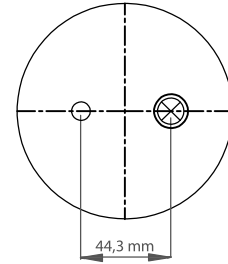
2B - 267



TOP VIEW



BOTTOM VIEW



Reference	Order No	Description	⊙
114430	11120211	Rubber Bellow only	
113431	11120209	Bottom plate Ø 12.8 pin, top plate 3/8"-16 (blind nuts)	5/8-18 UNF+1/8NPT

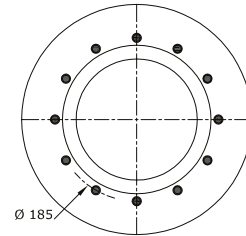
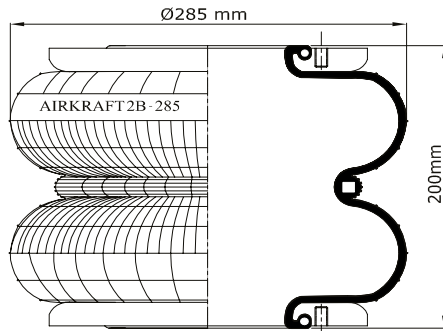
Reference	Order No	Adaptable Cross	Reference	Order No	Adaptable Cross
114430	11120211	FIRESTONE 267C1.5			
113431	11120209	FIRESTONE W21-760-6397			
		FIRESTONE FLEX 267C1.5			
		TOYOTA TUNDRA TRD (4X2 only)			
		TOYOTA TUNDRA (4X4 only)			
		LINCOLN MARK LT (4X2, 4X4)			
		FORD F-150 (4X2, 4X4)			
		CHEVROLET C&K-1500 SILVERADO			
		CHEVROLET SIERRA (4X2, 4X4)			

● BOLT / STUD ● BLIND NUT ⊙ COMBINATIONS STUD ⊗ AIR INLET



STYLE 2B - 285

TOP & BOTTOM VIEW



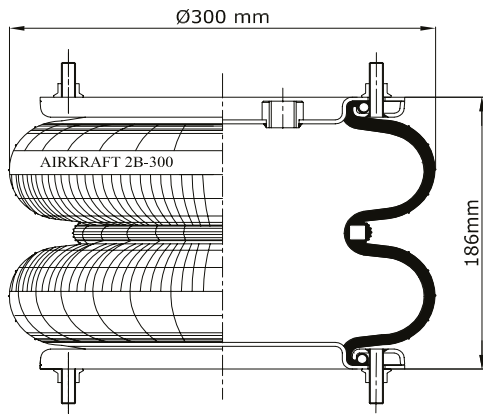
Reference	Order No	Description
114250	11120152	Rubber bellow only
113250	11120045	Top/Bottom side Flange (Steel) 12xM8

Reference	Order No	Adaptable Cross	Reference	Order No	Adaptable Cross
114250	11120152	CONTITECH 608 N	113250	11120045	CONTITECH 608 M
		PHOENIX 2B 20R			CF GOMMA T26
		TAURUS KF211-200			
		GOODYEAR 2B12-425 / 300			
		VIBRACOUSTIC V2B20R			

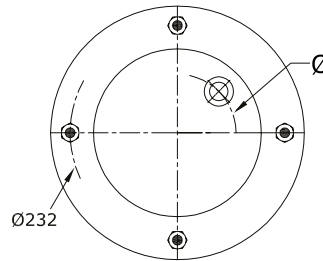
● BOLT / STUD ● BLIND NUT ⊗ COMBINATIONS STUD ⊗ AIR INLET ∅ DISTANCE TO CENTER



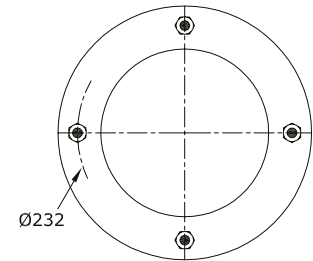
STYLE 2B - 300



TOP VIEW



BOTTOM VIEW



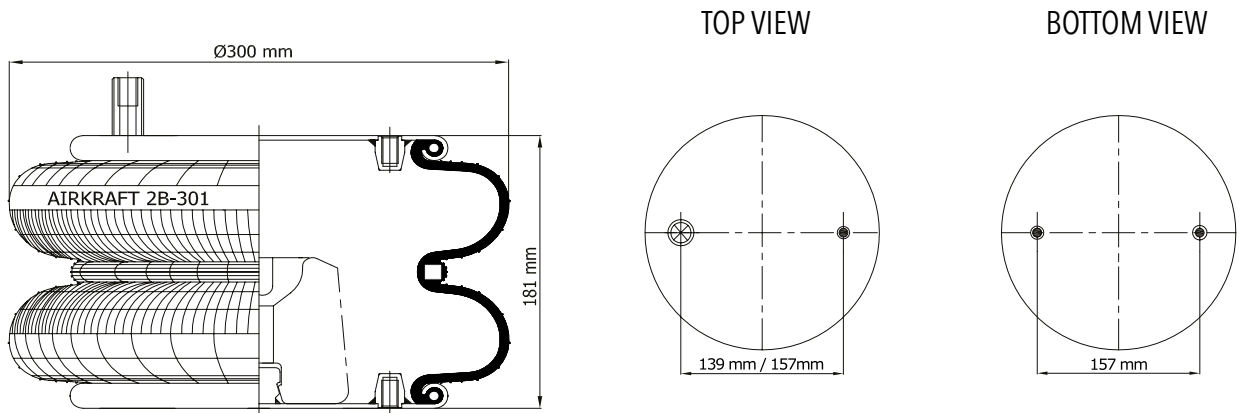
Reference	Order No	Description	⊗	∅
114300	11120153	Bottom plate Blind nuts M8		
113300	11120046	Top/Bottom plate M10 (bolts)	Rp 1/2	center
113301	11120047	Top/Bottom plate M10 (bolts)	M16X1,5	120mm
113305	11120048	Top/Bottom side only clamp ring M10		
113302	11120254	Top/Bottom plate M10 (bolts), Bumper (120mm)	M16x1,5	120mm

Reference	Order No	Adaptable Cross	Reference	Order No	Adaptable Cross
114300	11120153	CONTITECH FD 412-18 S	113301	11120047	FIRESTONE fole 210 095.0082
		DUNLOP (FR) SP 256 NB			CONTITECH FD 412-18 P01
113300	11120046	CONTITECH FD 412-18 1/2 M10 / 66334	113305	11120048	DUNLOP (FR) SP 2665 NB(12"x2)
		DUNLOP (FR) SP 1541 NB (12"x2)			FIRESTONE W01-R58-4073
		FIRESTONE W01-R58-4061			GOODYEAR SPRINGRIDE 2B12-2457 / 9 2 3 2452
		GOODYEAR SPRINGRIDE 2B12-2452 / 578 9 2 3 2452			
		WEFORMA WBZ-G 550			
		NORGREN M / 31122 (12"x2)			
		DUNLOP (UK) PNP 3055 20 118			

● BOLT / STUD ● BLIND NUT ⊗ COMBINATIONS STUD ⊗ AIR INLET ∅ DISTANCE TO CENTER



STYLE 2B - 301



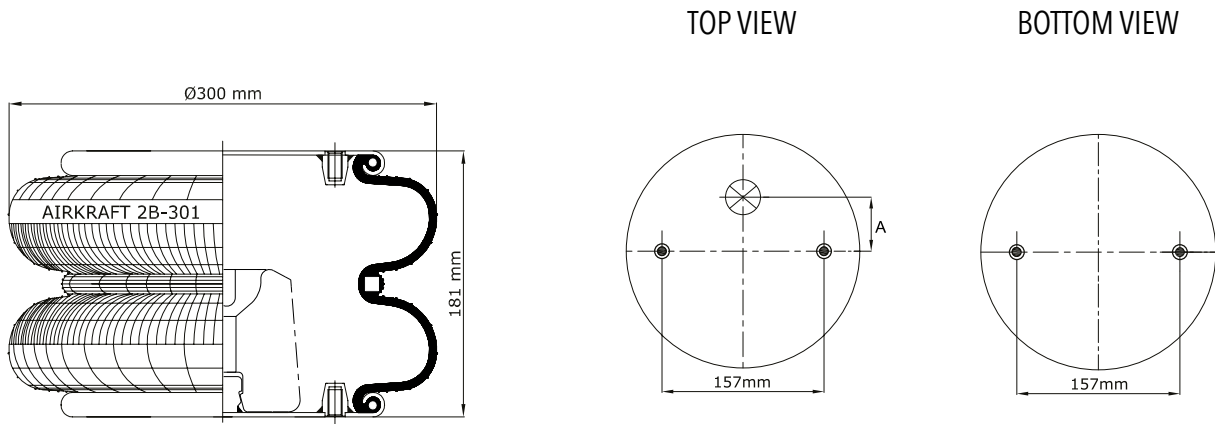
Reference	Order No	Description	⊙
114301	11120154	Rubber bellow only	
113339	11120065	Top Plate 3/8" (Blind nuts) Assembly Axis 139.7mm Bottom Plate 3/8" (Blind nuts) Assembly Axis 157.5mm	3/4-16"+1/4 NPT
113334	11120064	Top Plate 1/2"-13 (Bolts) Assembly Axis 157mm Bottom Plate 3/8"-16 (Blind nuts) Assembly Axis 157mm Bumper-97 mm	3/4-16"+N4 NPT

Reference	Order No	Adaptable Cross	Reference	Order No	Adaptable Cross
114301	11120154	FIRESTONE FLEX 22	113334	11120064	FIRESTONE W01 358 7410
		FIRESTONE W01 358 0226			CONTITECH FD 330-22 331 / 64270
		FIRESTONE 095.0037			GOODYEAR 2B12-406 / 578 9 2 3309
		FIRESTONE 095.0082			TAURUS KF 222-7410
		PIRELLI T22			HENDRICKSON 10170
		GOODYEAR FLEX 556 2 3 8210 / 578 9 2 3309			
		PHOENIX 2B 22R			
		CONTITECH FD 330-22 607N			
		VIBRACOUSTIC V2B22R			
113339	11120065	FIRESTONE W01 358 7403			
		GOODYEAR 2B12-307			
		TAURUS KF222-7403			
		CONTITECH FD 330-22 318 / 64488			
		HENDRICKSON B-1159/B-2883/12514-001			

● BOLT / STUD ● BLIND NUT ⊙ COMBINATIONS STUD ⊗ AIR INLET



STYLE 2B - 301



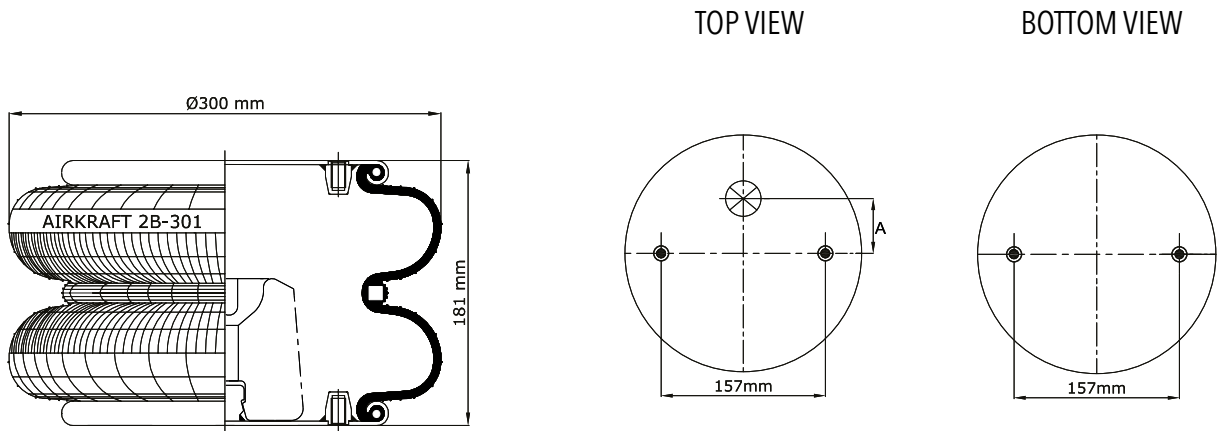
Reference	Order No	Description	⊗	A
114301	11120154	Rubber bellow only		
113306	11120049	Top/bottom plate M8 (Blind nuts)	G1	66 mm
113307	11120050	Top/bottom plate M8 (Blind nuts)	G1/2	66 mm
113310	11120053	Top/bottom plate M12 (Blind nuts)	G3/4	73 mm
113312	11120055	Top/bottom plate M10 (Blind nuts)	RP 1/4	73 mm
113313	11120056	Top/bottom plate M8 (Blind nuts)	RP 1/4	73 mm
113314	11120057	Top/bottom plate M8 (Blind nuts)	G1/4	66 mm
113477	11120113	Top/bottom plate M8 (Blind nuts)	M22X1.5	73 mm

Reference	Order No	Adaptable Cross	Reference	Order No	Adaptable Cross						
114301	11120154	FIRESTONE FLEX 22	113307	11120050							
		FIRESTONE W01 358 0226			113310	11120053	PHOENIX SP 2B 22R				
		FIRESTONE 095.0037					113312	11120055	DUNLOP (FR) 12"x2 S 12201		
		FIRESTONE 095.0082							113313	11120056	CONTITECH FD 330-22 / 60031
		PIRELLI T22									PHOENIX SP 2B 22R
		GOODYEAR 556 2 3 8210/578 9 2 3309									WEFORMA WBZ 500-E2
		PHOENIX 2B 22R									BOSCH 822419064
	FESTO EB-325-215										
113306	11120049	CONTITECH FD 330-22	113314	11120057	WEFORMA WBZ 500-E2						
		CONTITECH 2682 060000			113477	11120113	FIRESTONE 22T3 / 095 .0257				
		WEFORMA WBZ 500-E1					GOODYEAR 556 2 2 8442				
		BOSCH 822419044									

● BOLT / STUD ● BLIND NUT ⊗ COMBINATIONS STUD ⊗ AIR INLET A DISTANCE TO CENTER



STYLE 2B - 301



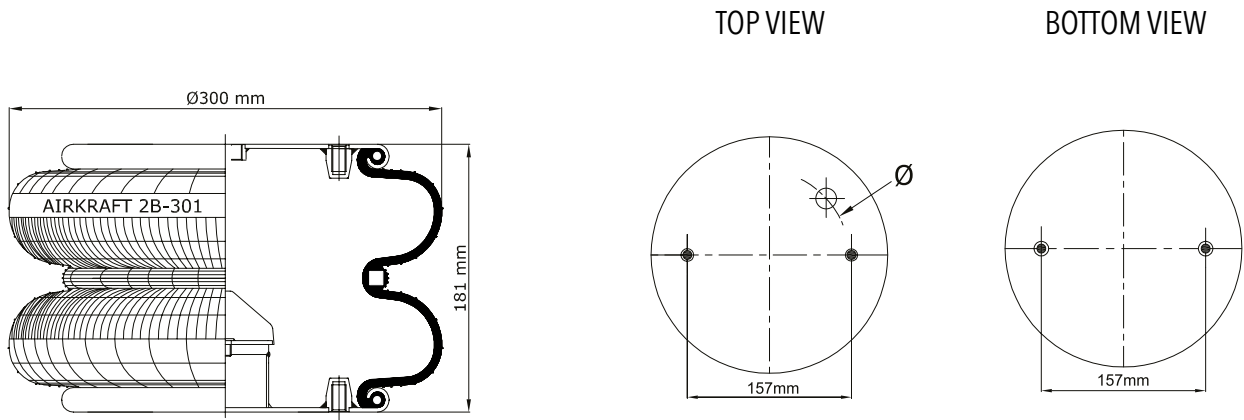
Reference	Order No	Description	⊗	A
113308	11120051	Top/bottom plate M8 (Blind nuts)	RP 1/4	73 mm
113309	11120052	Top/bottom plate M8 (Blind nuts)	G3/4	73 mm
113333	11120063	Top/bottom plate 3/8"-16 (Blind nuts) Bumper-97mm	1/4 NPT	73 mm
113490	11120123	Top/bottom plate 3/8"-16 (Blind nuts)	1/4 NPT	73 mm
113491	11120124	Top/bottom plate 3/8"-16 (Blind nuts)	3/4 NPT	73 mm
113492	11120125	Top/bottom plate 3/8"-16 (Blind nuts) Bumper-97mm	3/4 NPT	73 mm
113357	11120186	Top/bottom plate M12 (Bolts)	M22X1,5	73 mm

Reference	Order No	Adaptable Cross		Reference	Order No	Adaptable Cross	
113308	11120051	FIRESTONE	W01 M58 6381	113490	11120123	FIRESTONE	W01-358-7180
		CONTITECH	FD 330-22			CONTITECH	FD 330-22 363
		PHOENIX	2B 22R			GOODYEAR	2B12 425
		DUNLOP (FR)	S 12202 12X2			GOODYEAR FLEX	578-92-3-309
113309	11120052	FIRESTONE	W01 M58 6200	113491	11120124	FIRESTONE	W01-358-7184
		NORGREN	PM/31122 (12x2)			GOODYEAR	2B12-429
113333	11120063	FIRESTONE	W01 358 7400			CONTITECH	FD330-22 780
		CONTITECH	FD 330-22 313	113492	11120125	FIRESTONE	W01-358-7185
		GOODYEAR	2B12-309			GOODYEAR	2B12-318 / 578 9 2 3309
		GOODYEAR FLEX	578-92-3-309	113357	11120186	FIRESTONE	22 T3
		TAURUS	KF 222-7400			GOODYEAR	556 2 2 8416
		HENDRICKSON	S-1013				

● BOLT / STUD ● BLIND NUT ⊗ COMBINATIONS STUD ⊗ AIR INLET A DISTANCE TO CENTER



STYLE 2B - 301



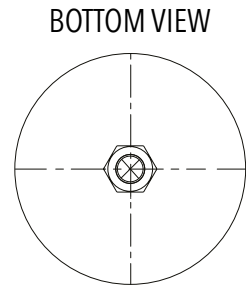
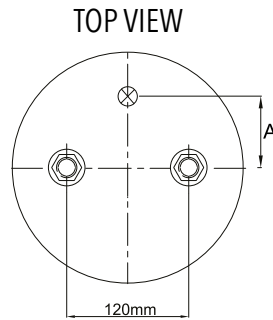
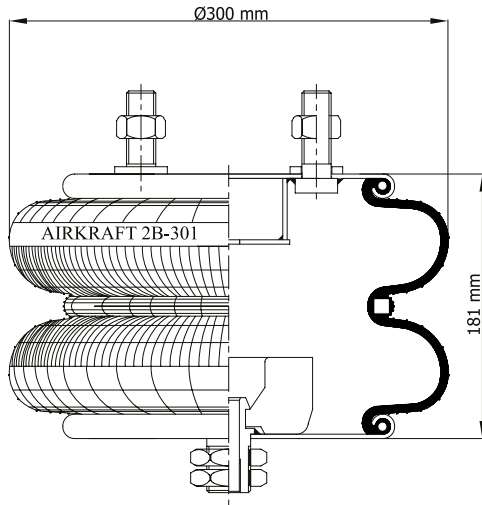
Reference	Order No	Description	⊗	∅
114301	11120154	Rubber bellow only		
113329	11120061	Top/Bottom plate M10 (blind nuts)	M14X1.5	160 mm
113554	11120141	Top/Bottom plate M10 (blind nuts) Bumper 118 mm	1/4 NPT	160 mm

Reference	Order No	Adaptable Cross	Reference	Order No	Adaptable Cross
114301	11120154	FIRESTONE FLEX 22	113329	11120061	SCANIA 1510249
		FIRESTONE W01 358 0226	113554	11120141	SCANIA 1503813-7317
		FIRESTONE 095.0037			
		FIRESTONE 095.0082			
		PIRELLI T22			
		GOODYEAR 556 2 3 8210 / 578 9 2 3309			
		PHOENIX 2B 22R			
		CONTITECH 607 N			
VIBRACOUSTIC V 2B22 R					

● BOLT / STUD ● BLIND NUT ⊗ COMBINATIONS STUD ⊗ AIR INLET ∅ DISTANCE TO CENTER



STYLE 2B - 301



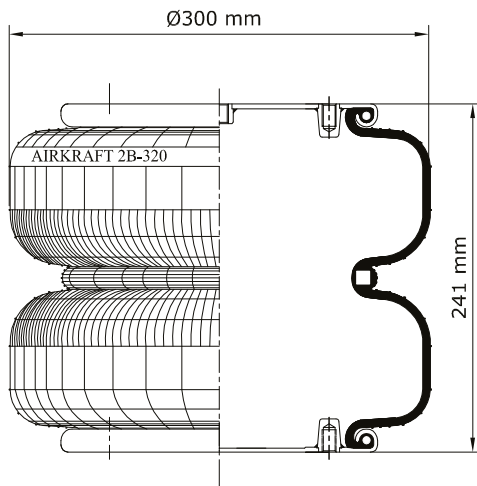
Reference	Order No	Description	AIR INLET (Top Plate)		AIR INLET (Bottom Plate)
			⊗	A	⊗
114301	11120154	Rubber bellow only			
113556	11120142	Top plate M20X2.5 (Bolts) Bumper-52.5	M16X1.5	70	M30X1.5/M16X1.5

Reference	Order No	Adaptable Cross		Reference	Order No	Adaptable Cross	
114301	11120154	FIRESTONE FLEX	22	113556	11120142	PHOENIX	SP 2B 22-R1 51666
		FIRESTONE	W01 358 0226			CF GOMMA	T22B / ST200860C
		FIRESTONE	095.0037				
		FIRESTONE	095.0082				
		PIRELLI	T22				
		GOODYEAR	556 2 3 8210 / 578 9 2 3309				
		PHOENIX	2B 22R				
		CONTITECH	607 N				
		VIBRACOUSTIC	V2 B22R				

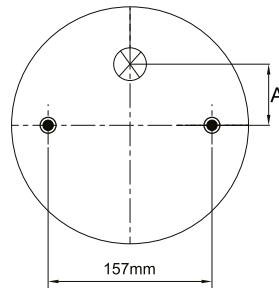
● BOLT / STUD ● BLIND NUT ⊗ COMBINATIONS STUD ⊗ AIR INLET



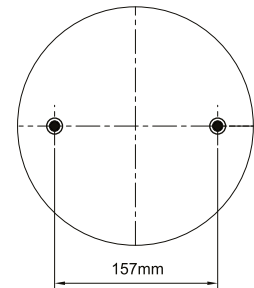
STYLE 2B - 320



TOP VIEW



BOTTOM VIEW



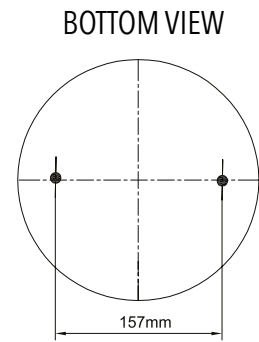
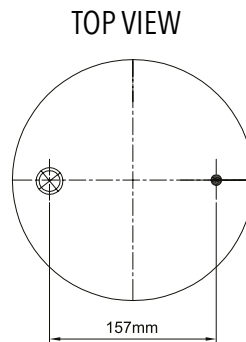
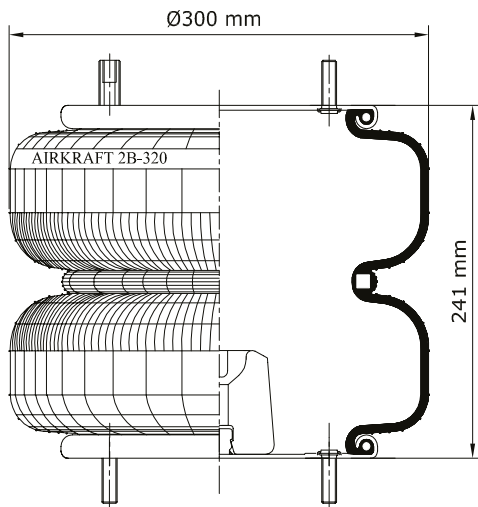
Reference	Order No	Description	⊗	A
114302	11120155	Rubber bellow only		
113311	11120054	Top/bottom plate 3/8-16 (Blind nuts)	Rp 1/4	center
113316	11120177	Top/bottom plate 3/8-16 (Blind nuts)	1/4 NPT	73 mm
113493	11120178	Top/bottom plate 3/8-16 (Blind nuts)	1/4 NPT	center
113494	11120179	Top/bottom plate 3/8-16 (Blind nuts)	3/4 NPT	73 mm
113325	11120059	Top/bottom plate M8 (Blind nuts)	M22X1.5	73 mm
113326	11120060	Top/bottom plate M8 (Blind nuts)	G 3/4	73 mm
113342	11120067	Top/bottom plate M10 (Blind nuts) Bottom assembly axis 90 to top assembly axis	M12X1.5	center

Reference	Order No	Adaptable Cross		Reference	Order No	Adaptable Cross	
114302	11120155	FIRESTONE	W01 358 0259	113493	11120178	FIRESTONE	W01-358-7443
		FIRESTONE FLEX	22-1,5 / 095.0092			DUNLOP (FR)	S12280
		GOODYEAR FLEX	556 2 3 8328			GOODYEAR	2B12-305 / 578 9 2 3310
		GOODYEAR FLEX	578 9 2 3310			CONTITECH	FD330-30 323
113311	11120054	FIRESTONE	W01 358 7440	113325	11120059	FIRESTONE	22-1.5 T3 / 095.0258
		DUNLOP (FR)	S12280			GOODYEAR	556 2 2 8634
		GOODYEAR	2B12-305				
113316	11120177	FIRESTONE	W01-358-7444	113342	11120067	DUNLOP (FR)	12"x2
		GOODYEAR	2B12-416 / 2B12-446			FIRESTONE	W01-M58-6875
		CONTITECH	FD330-30 369				
		HENDRICKSON	S9830				
113494	11120179	GOODYEAR	2B12-419				
		FIRESTONE	W01-358-7442				
		CONTITECH	FD330-30 371				

● BOLT / STUD ● BLIND NUT ⊗ COMBINATIONS STUD ⊗ AIR INLET



STYLE 2B - 320



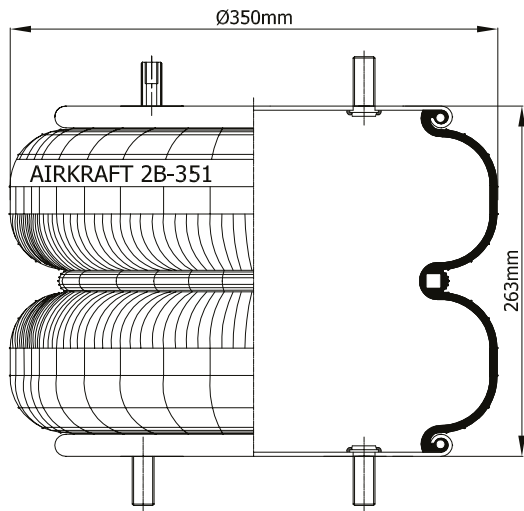
Reference	Order No	Description	⊗
114302	11120155	Rubber bellow only	
113341	11120066	Top/bottom plate 1/2"-13 UNC (Bolts) Bumper -90 mm	3/4-16 NPT+1/4 NPT
113343	11120068	Top plate 1/2"-13 UNC (Bolt) Bottom plate 3/8"-16 (Blind nuts) Bumper -90 mm	3/4-16 NPT+1/4 NPT
113545	11120134	Top plate 1/2"-13 UNC (Bolt) Bottom plate 3/8"-16 (Blind nuts) Bumper -97 mm	3/4-16 NPT+1/4 NPT

Reference	Order No	Adaptable Cross		Reference	Order No	Adaptable Cross	
114302	11120155	FIRESTONE	W01 358 0259	113343	11120068	FIRESTONE	W01 358 7550
		FIRESTONE	22-1,5 / 095.0092			CONTITECH	FD 331-26 541
		GOODYEAR	556 2 3 8328			GOODYEAR	2B12-346
		GOODYEAR	578 92 3 310				
113341	11120066	FIRESTONE	W01 358 7555	113545	11120134	FIRESTONE FLEX	228-1,5
		CONTITECH	FD 331-26 480			FIRESTONE	W01 358 7636
		GOODYEAR	2B12-440 / 578 9 2 3315				

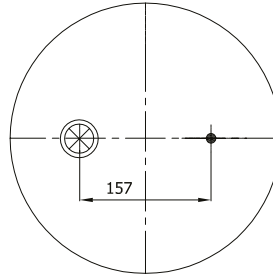
● BOLT / STUD ● BLIND NUT ⊗ COMBINATIONS STUD ⊗ AIR INLET



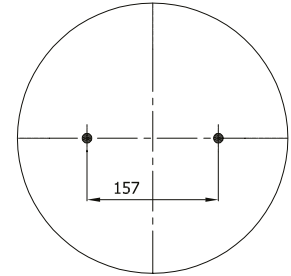
STYLE 2B - 351



TOP VIEW



BOTTOM VIEW



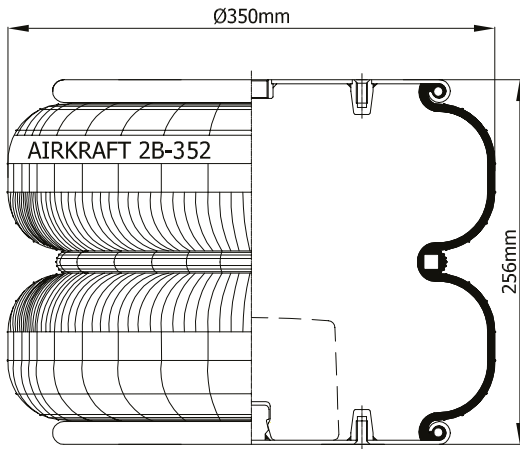
Reference	Order No	Description	⊗
113478	11120114	Top Bottom Plate M12 (Bolts)	M18X2.5+M12X1.5

Reference	Order No	Adaptable Cross	Reference	Order No	Adaptable Cross
113478	11120114	FIRESTONE 233-2 T2 095.0362			
		GOODYEAR 556 2 2 8647			
		GOODYEAR FLEX 556 2 3 8338			

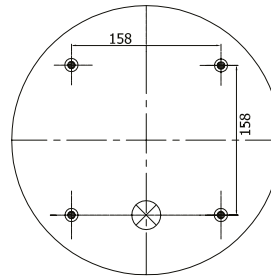
● BOLT / STUD ● BLIND NUT ⊗ COMBINATIONS STUD ⊗ AIR INLET



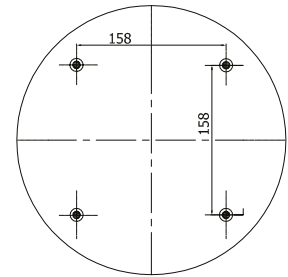
STYLE 2B - 352



TOP VIEW



BOTTOM VIEW



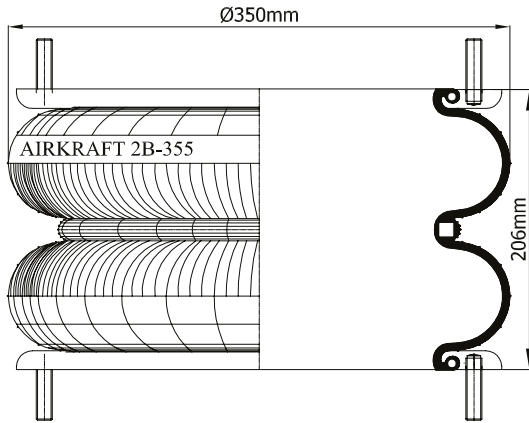
Reference	Order No	Description	⊗
113479	11120115	Top / Bottom Plate 3/8"-16 UNC (Blind nuts) Bumper-78 mm	3/4 NPT-14
113480	11120180	Top / Bottom Plate 3/8"-16 UNC (Blind nuts) Bumper-91 mm	1/4 NPT-18
113499	11120127	Top / Bottom Plate 3/8"-16 UNC (Blind nuts)	1/4 NPT-18
113500	11120128	Top / Bottom Plate 1/2"-13 UNC (Bolts) Bumper-91 mm	1/4 NPT

Reference	Order No	Adaptable Cross		Reference	Order No	Adaptable Cross	
113479	11120115	FIRESTONE	W01-358-6805	113499	11120127	FIRESTONE	W01-358-6800
		CONTITECH	FD 530-30 532 / 707			CONTITECH	FD 530-30 518 / 161374
		GOODYEAR	2B14-462			GOODYEAR	2B14-363
113480	11120180	FIRESTONE	W01-358-6801	113500	11120128	FIRESTONE	W01-358-6808
		CONTITECH	FD 530-30 451 / 161373			CONTITECH	FD 530-30 519 / 161375
		GOODYEAR	2B14-365 / 578 9 2 3356				
		GOODYEAR	2B14-361				
		GOODYEAR	2B14-452				

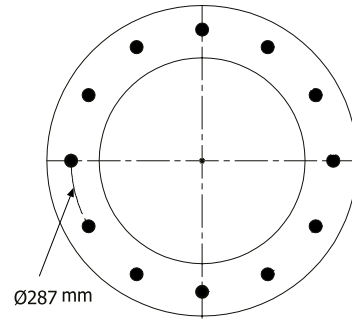
● BOLT / STUD ● BLIND NUT ⊗ COMBINATIONS STUD ⊗ AIR INLET



STYLE 2B - 355



TOP & BOTTOM VIEW



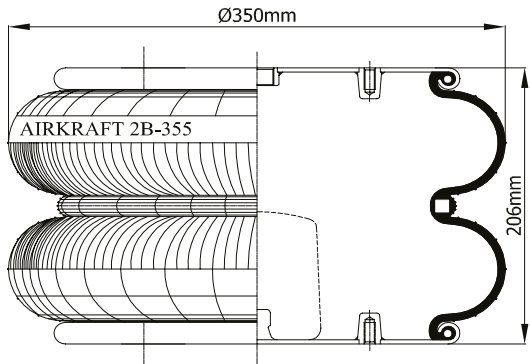
Reference	Order No	Description
114450	11120161	Rubber bellow only
113548	11120137	Top / Bottom Side Flange (Steel) 12XM10

Reference	Order No	Adaptable Cross	Reference	Order No	Adaptable Cross
114450	11120161	FIRESTONE FLEX 21	113548	11120137	FIRESTONE 095.0038
		FIRESTONE 21 - 095.0035			GOODYEAR 556 2 3 8411
		FIRESTONE W01-358-0213			GOODYEAR FLEX 556 2 3 8329/ 578 9 2 3353
		PHOENIX 2B 34R			
		GOODYEAR FLEX 2B 14 / 578 9 2 3353			
		TAURUS F 221-300			
		VIBRACOUSTIC V2B34R			

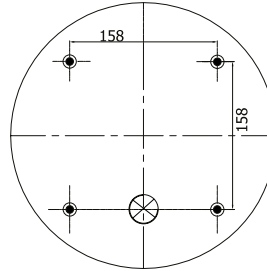
● BOLT / STUD ● BLIND NUT ⊗ COMBINATIONS STUD ⊗ AIR INLET Ø DISTANCE TO CENTER



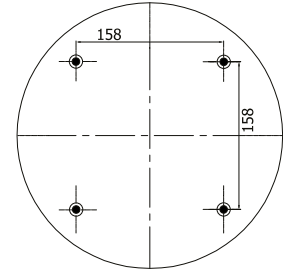
STYLE 2B - 355



TOP VIEW



BOTTOM VIEW



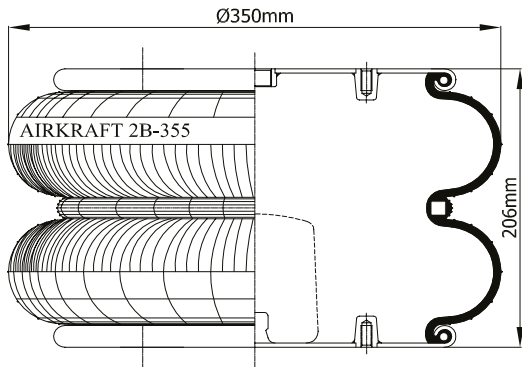
Reference	Order No	Description	⊗
Two Ply Bellows			
114450	11120161	Rubber bellow only	
113466	11120108	Top/bottom plate 3/8"-16 UNC (Blind nuts) Bumper 91 mm	1/4 NPT
113495	11120181	Top/bottom plate 3/8"-16 UNC (Blind nuts)	1/4 NPT
113496	11120182	Top/bottom plate 3/8"-16 UNC (Blind nuts)	3/4 NPT
113497	11120183	Top/bottom plate 3/8"-16 UNC (Blind nuts) Bumper 91 mm	3/4 NPT
113503	11120184	Top/bottom plate 3/8"-16 UNC (Blind nuts) Bumper 112 mm	1/4 NPT
113450	11120098	Top/bottom plate M8 (Blind nuts)	G 3/4
113453	11120101	Top/bottom plate M8 (Blind nuts)	G 1
113455	11120103	Top/bottom plate M8 (Blind nuts)	G 1/2
113459	11120104	Top/bottom plate M10 (Blind nuts)	G 1/2
113558	11120189	Top/bottom plate M8 (Blind nuts)	M22x1,5

Reference	Order No	Adaptable Cross	Reference	Order No	Adaptable Cross		
114450	11120161	FIRESTONE FLEX 21 - 095.0035	113503	11120184	FIRESTONE W01-358-7146		
		FIRESTONE FLEX W01-358-0213			CONTITECH FD 530-22 342		
		PHOENIX 2B 34R			GOODYEAR 2B14-355		
		GOODYEAR 2B 14 / 578 9 2 3353			HENDRICKSON S13046		
		TAURUS F221-300			113450	11120098	PHOENIX SP 2B 34R
		VIBRACOUSTUC V2B34R					VIBRACOUSTIC VSP2B34R
113466	11120108	FIRESTONE W01 358 7136	113453	11120101	CONTITECH FD 530-22 / 2682 075 000		
		CONTITECH FD 530-22 321			PIRELLI 1938		
		GOODYEAR 2B14 356 / 578 9 2 3351			WEFORMA WBZ 600-E1		
		GOODYEAR 2B14 356 / 578 9 2 3353			BOSCH 822419045		
		HENDRICKSON S1080			113455	11120103	
113495	11120181	FIRESTONE W01-358-7145	113459	11120104			
		CONTITECH FD 530-22 374			113558	11120189	FIRESTONE W01-M58 7501
		GOODYEAR 2B14-354 / 578 9 2 3353					GOODYEAR 2B 14 - 465
		HENDRICKSON S13038			113497	11120183	FIRESTONE W01-358-7144
113496	11120182	FIRESTONE W01-358-7143			GOODYEAR 2B14-353		
		GOODYEAR 2B14-352					

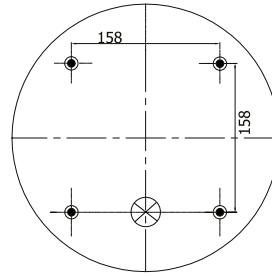
● BOLT / STUD ● BLIND NUT ⊗ COMBINATIONS STUD ⊗ AIR INLET



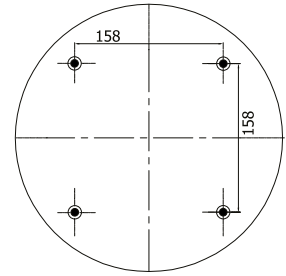
STYLE 2B - 355/HYD



TOP VIEW



BOTTOM VIEW



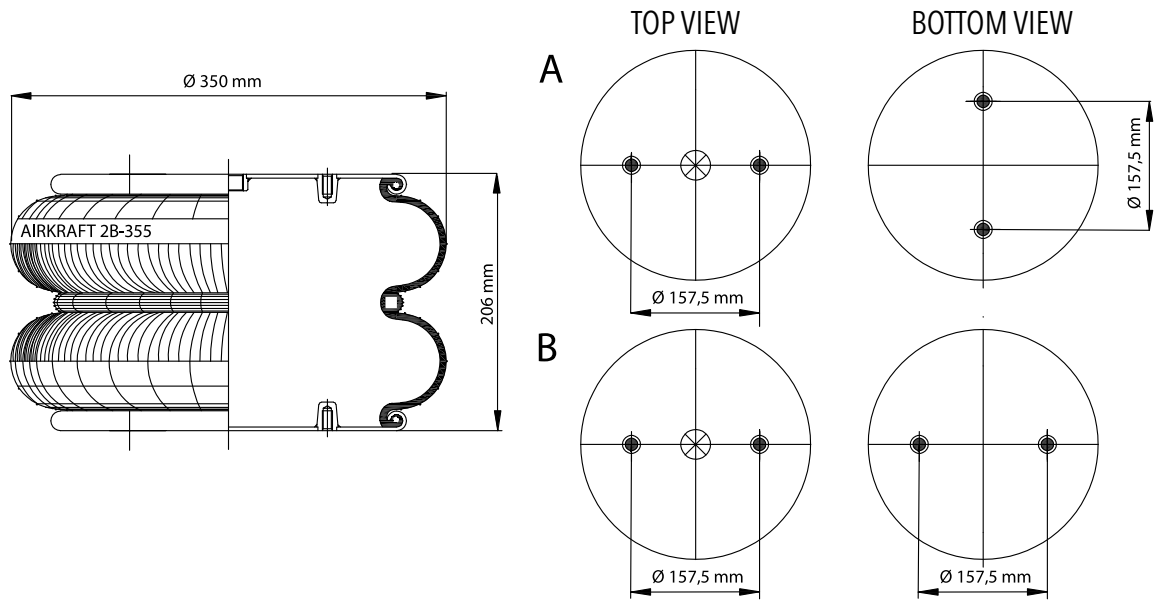
Reference	Order No	Description	⊗
Two Ply Bellows			
113460	11120105	Top/bottom plate M8 (Blind nuts)	G 1/4
113454	11120102	Top/bottom plate 1/2"-13 UNC (Bolt)	1/4 - 18 NPT
113464	11120107	Top/bottom plate 1/2"-13 UNC (Bolt) Bumper 90mm	1/4 NPT
High Strength Bellows - Four Ply			
114452	11120163	Rubber bellow only	
113461	11120106	Top/bottom plate 3/8"-16 UNC (Blind nuts)	1/4 - 18 NPT
113452	11120100	Top/bottom plate 3/8"-16 UNC (Blind nuts)	3/4 - 14 NPT
113498	11120126	Top/bottom plate 3/8"-16 UNC (Blind nuts) Bumper 112mm	1/4 - 18 NPT

Reference	Order No	Adaptable Cross	Reference	Order No	Adaptable Cross	
113460	11120105	CONTITECH FD 530-22 61362	114452	11120163	FIRESTONE FLEX 205	
		WEFORMA WBZ 600-E2			FIRESTONE W01 358 7929	
		BOSCH 822419065			113461 11120106	FIRESTONE W01 358 7208
		FESTO EB-385-230			113452 11120100	FIRESTONE W01-358 7224
113454	11120102	FIRESTONE 21T2 W01 358 7135	113498	11120126	CONTITECH FD 530-22 2682	
		CONTITECH FD 530-22 311			PIRELLI 1938	
		GOODYEAR 2B 14-360/556 2 2 8554			FIRESTONE W01 358 7221	
		HENDRICKSON 12514-014				
113464	11120107	FIRESTONE W01 358 7140				
		FIRESTONE W01 681 7110				
		CONTITECH FD 530-22 316				
		GOODYEAR 2B14-359				
		HENDRICKSON B-3184				

● BOLT / STUD ● BLIND NUT ⊗ COMBINATIONS STUD ⊗ AIR INLET



STYLE 2B - 355



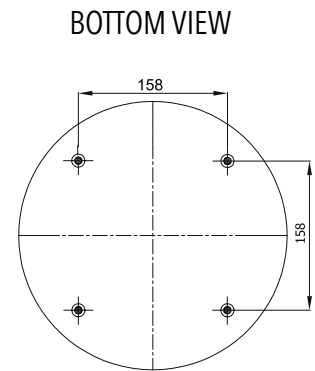
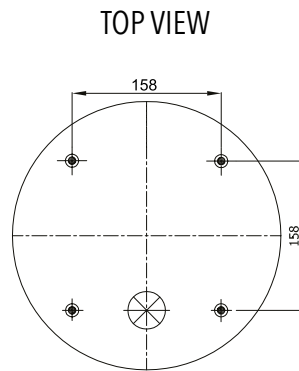
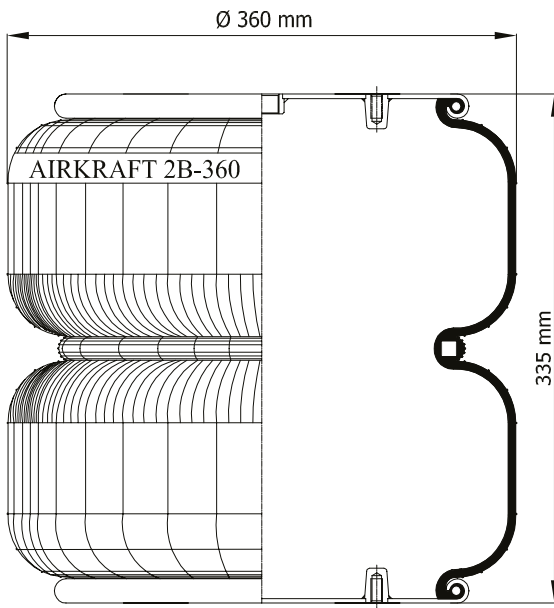
Reference	Order No	Description	
113504	11120202	Top/Bottom plate M12x1,75 (Blind Nuts) (Type A)	M22x1,5
113505	11120252	Top/Bottom plate M12x1,75 (Blind Nuts) (Type B)	M22x1,5

Reference	Order No	Adaptable Cross	Reference	Order No	Adaptable Cross
113504	11120202	ISUZU			
113505	11120252				

● BOLT / STUD ● BLIND NUT ⊗ COMBINATIONS STUD ⊗ AIR INLET



STYLE 2B - 360



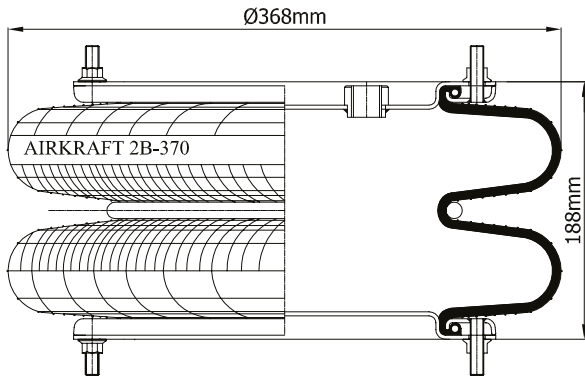
Reference	Order No	Description	⊗
114451	11120162	Rubber bellow only	
113451	11120099	Top/bottom plate M8 (Blind nuts)	G3/4

Reference	Order No	Adaptable Cross	Reference	Order No	Adaptable Cross
114451	11120162	PHOENIX 2 B 34 RB	113451	11120099	PHOENIX SP 2 B 34 RB

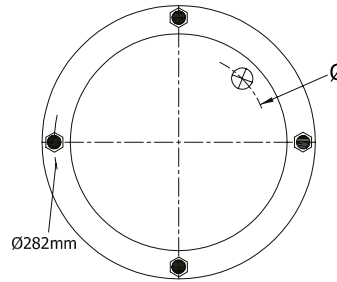
● BOLT / STUD ● BLIND NUT ⊗ COMBINATIONS STUD ⊗ AIR INLET



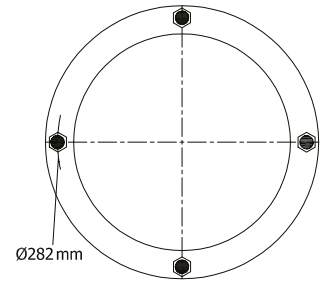
STYLE 2B - 370



TOP VIEW



BOTTOM VIEW



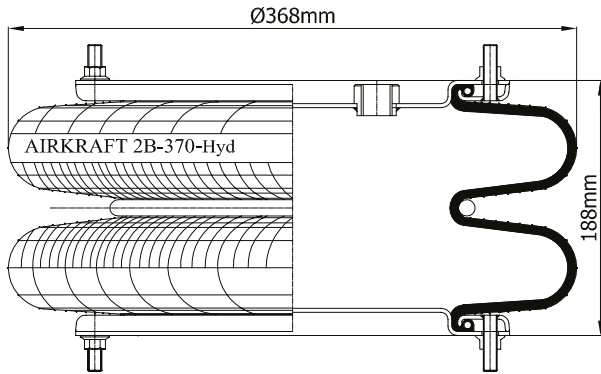
Reference	Order No	Description	⊗	∅
114350	11120157	Rubber bellow only		
113353	11120072	Top/Bottom plate M10 (bolts)	M22X1,5	center
113354	11120073	Top/Bottom plate M10 (bolts)	M22X1,5	170mm
113355	11120074	Top/Bottom side only clamp ring M10		
113358	11120077	Top/Bottom plate M10 (bolts)	RP1/2	center
113359	11120078	Top/Bottom plate M10 (bolts)	RP1/2	170 mm

Reference	Order No	Adaptable Cross		Reference	Order No	Adaptable Cross	
114350	11120157	CONTITECH	FD 614-26	113358	11120077	CONTITECH	FD 614-26
		FIRESTONE FLEX	14.5 x 2			DUNLOP (FR)	SP 1556
		DUNLOP (FR)	SP 1039(14" 1/2x2)			WEFORMA	WBZ-G 600
113353	11120072	CONTITECH	FD 614-26	113359	11120078	NORGREN	M/31142 (14"1/2x2)
		DUNLOP (FR)	14" 1/2x2			FIRESTONE	W01R584064
113354	11120073	CONTITECH	FD 614-26				
113355	11120074	DUNLOP (FR)	14"1/2 x 2/ SP 1988			CONTITECH	FD 614-26
		CONTITECH	FD 614-26			DUNLOP (FR)	SP 1988
		DUNLOP (FR)	SP 1041 / 14" 1/2x2				

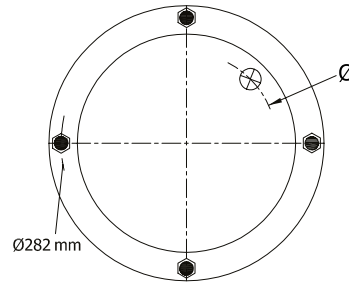
● BOLT / STUD ● BLIND NUT ⊗ COMBINATIONS STUD ⊗ AIR INLET ∅ DISTANCE TO CENTER



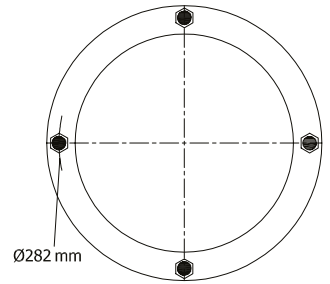
STYLE 2B - 370HYD



TOP VIEW



BOTTOM VIEW



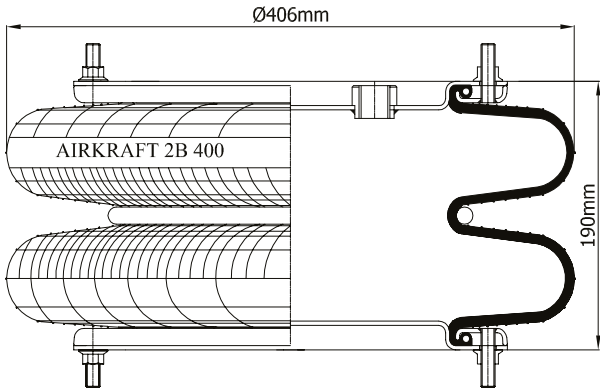
Reference	Order No	Description	⊗	∅
High Strength Bellows - Four Ply				
114351	11120158	Rubber bellow only		
113350	11120069	Top/Bottom plate 8xM10 (bolts)	M22X1,5	center
113351	11120070	Top/Bottom plate 8xM10 (bolts)	M22X1,5	170mm
113352	11120071	Top/Bottom side only clamp ring 8xM10		
113356	11120075	Top/Bottom plate 8xM10 (bolts)	RP1/2	center
113357	11120076	Top/Bottom plate 8xM10 (bolts)	RP1/2	170mm
113361	11120079	Top/Bottom side only clamp ring 12XM8 bolts		

Reference	Order No	Adaptable Cross		Reference	Order No	Adaptable Cross	
114351	11120158	CONTITECH	FD 614-26	113356	11120075	CONTITECH	FD 614-26
		DUNLOP (FR)	14" 1/2 x 2RE			DUNLOP (FR)	14" 1/2 x 2RE
113350	11120069	CONTITECH	FD 614-26	113357	11120076	CONTITECH	FD 614-26
		DUNLOP (FR)	14" 1/2 x 2RE			DUNLOP (FR)	14" 1/2 x 2RE
113351	11120070	CONTITECH	FD 614-26	113361	11120079	CONTITECH	FD 614-26
		DUNLOP (FR)	14" 1/2 x 2RE			DUNLOP (FR)	SP 2599
113352	11120071	CONTITECH	FD 614-26				
		DUNLOP (FR)	14" 1/2 x 2RE				

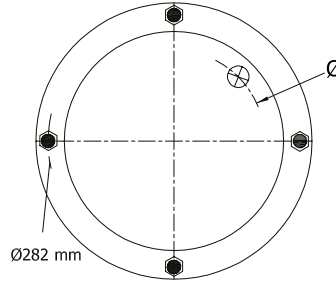
● BOLT / STUD ● BLIND NUT ⊗ COMBINATIONS STUD ⊗ AIR INLET ∅ DISTANCE TO CENTER



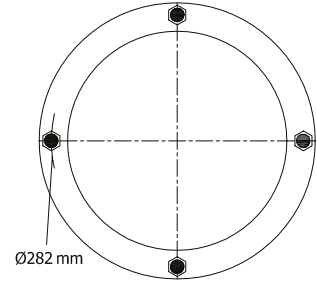
STYLE 2B - 400



TOP VIEW



BOTTOM VIEW



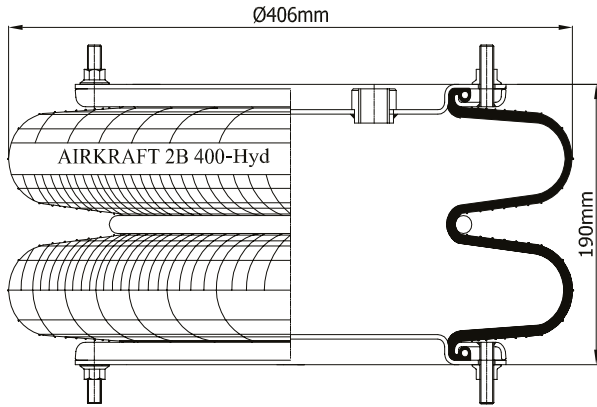
Reference	Order No	Description	⊗	∅
114400	11120159	Rubber bellow only		
113403	11120085	Top/Bottom plate M10 (bolts)	M22X1,5	center
113404	11120086	Top/Bottom plate M10 (bolts)	M22X1,5	170mm
113405	11120087	Top/Bottom side only clamp ring M10		
113408	11120090	Top/Bottom plate M10 (bolts)	RP1/2	center
113409	11120091	Top/Bottom plate M10 (bolts)	RP1/2	170mm

Reference	Order No	Adaptable Cross		Reference	Order No	Adaptable Cross	
114400	11120159	DUNLOP (FR)	SP 1194 / 1998	113405	11120087		
113403	11120085	DUNLOP (FR)	16" x 2 SP 2340	113408	11120090	FIRESTONE	W01 R58 4067
113404	11120086	DUNLOP (FR)	16" x 2			DUNLOP (FR)	16" x 2 SP 1557
				113409	11120091		

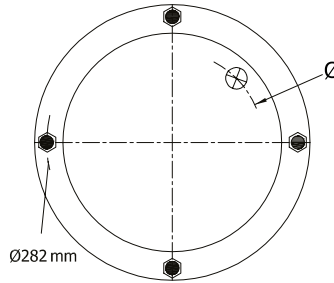
● BOLT / STUD ● BLIND NUT ⊗ COMBINATIONS STUD ⊗ AIR INLET ∅ DISTANCE TO CENTER



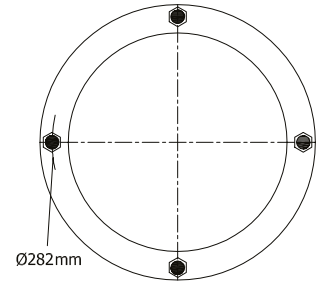
STYLE 2B - 400HYD



TOP VIEW



BOTTOM VIEW



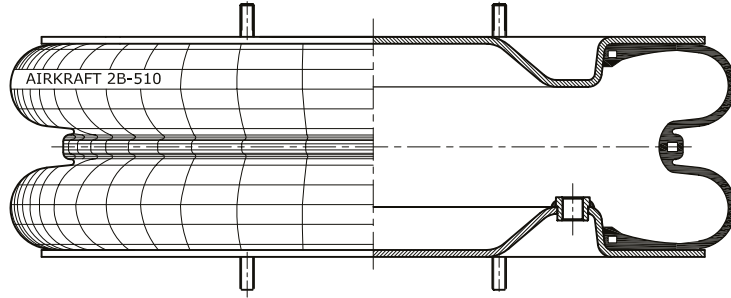
Reference	Order No	Description	⊗	∅
High Strength Bellows - Four Ply				
114401	11120160	Rubber bellow only		
113400	11120082	Top/Bottom plate 8xM10 (bolts)	M22X1,5	center
113401	11120083	Top/Bottom plate 8xM10 (bolts)	M22X1,5	170mm
113402	11120084	Top/Bottom side only clamp ring 8xM10		
113406	11120088	Top/Bottom plate 8xM10 (bolts)	RP1/2	center
113407	11120089	Top/Bottom plate 8xM10 (bolts)	RP1/2	170mm
113411	11120092	Top/Bottom side only clamp ring 4XM10 bolts		

Reference	Order No	Adaptable Cross		Reference	Order No	Adaptable Cross	
114401	11120160	DUNLOP (FR)	16" x 2 RE	113406	11120088	DUNLOP (FR)	16" x 2 RE
113400	11120082	DUNLOP (FR)	16" x 2 RE	113407	11120089	DUNLOP (FR)	16" x 2 RE
113401	11120083	DUNLOP (FR)	16" x 2 RE	113411	11120092		
113402	11120084	DUNLOP (FR)	16" x 2 RE				

● BOLT / STUD ● BLIND NUT ⊗ COMBINATIONS STUD ⊗ AIR INLET ∅ DISTANCE TO CENTER



STYLE 2B - 510



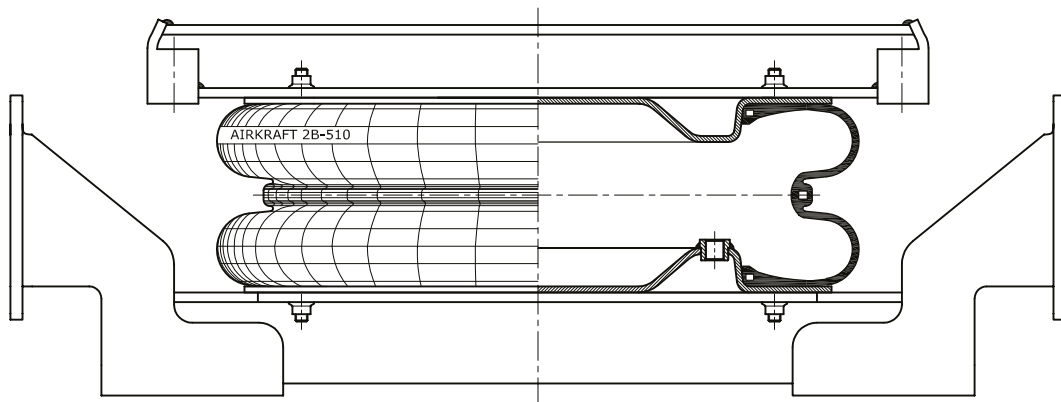
Reference	Order No	Description
114613	11120167	Rubber bellow only
113419	11120226	

Reference	Order No	Adaptable Cross		Reference	Order No	Adaptable Cross
114613	11120167	GOODYEAR	556 2 3 8064			
		JARFLEX	6.13			
113419	11120226	GOODYEAR	556 2 3 8064			
		JARFLEX	6.13			

● BOLT / STUD ● BLIND NUT ⊗ COMBINATIONS STUD ⊗ AIR INLET



STYLE 2B - 510



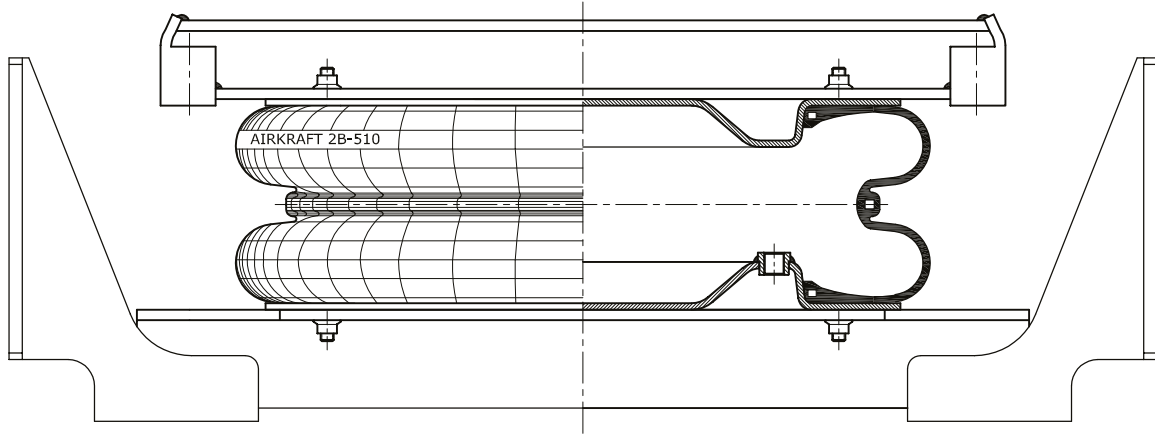
Reference	Order No	Description
114613	11120167	Rubber bellow only
113417	11120218	

Reference	Order No	Adaptable Cross		Reference	Order No	Adaptable Cross
114613	11120167	GOODYEAR	556 2 3 8064			
		JARFLEX	6.13			
113417	11120218	GOODYEAR	556 2 3 8064			
		JARFLEX	6.13			

● BOLT / STUD ● BLIND NUT ⊗ COMBINATIONS STUD ⊗ AIR INLET



STYLE 2B - 510



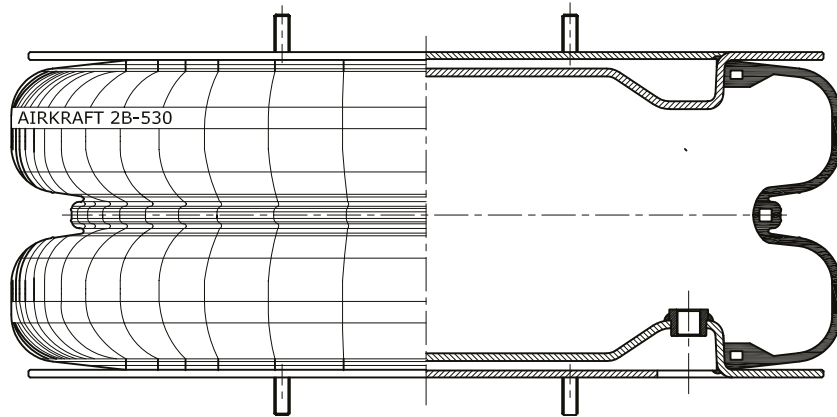
Reference	Order No	Description
114613	11120167	Rubber bellow only
113418	11120228	

Reference	Order No	Adaptable Cross		Reference	Order No	Adaptable Cross
114613	11120167	GOODYEAR	556 2 3 8064			
		JARFLEX	6.13			
113418	11120228	GOODYEAR	556 2 3 8064			
		JARFLEX	6.13			

● BOLT / STUD ● BLIND NUT ⊗ COMBINATIONS STUD ⊗ AIR INLET



STYLE 2B - 530



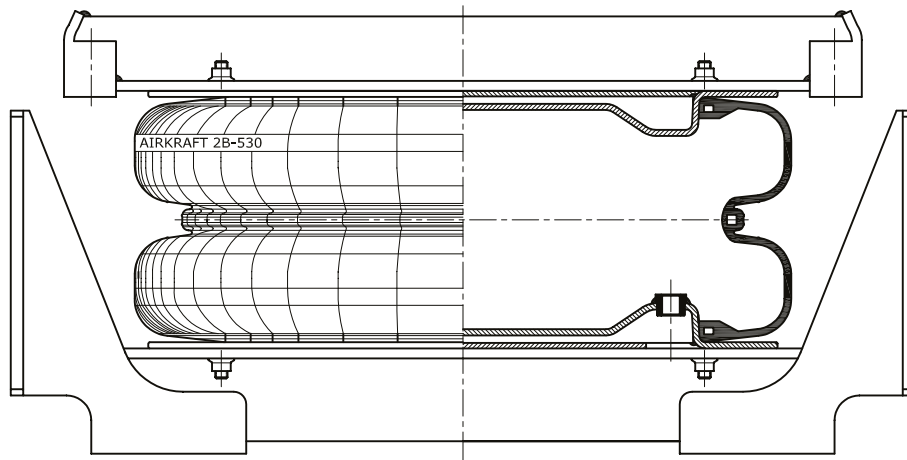
Reference	Order No	Description
114714	11120166	Rubber bellow only
113136	11120198	

Reference	Order No	Adaptable Cross		Reference	Order No	Adaptable Cross
114714	11120166	GOODYEAR	556 2 3 8083			
113136	11120198	JARFLEX	7.14			
		GOODYEAR	556 2 3 8083			
		JARFLEX	7.14			

- BOLT / STUD
- BLIND NUT
- ⊗ COMBINATIONS STUD
- ⊗ AIR INLET



STYLE 2B - 530



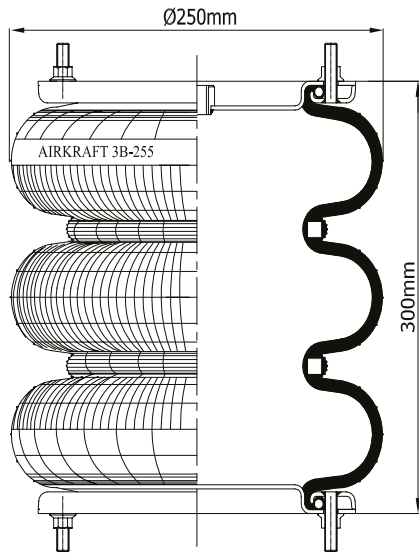
Reference	Order No	Description
114714	11120166	Rubber bellow only
113135	11120041	

Reference	Order No	Adaptable Cross		Reference	Order No	Adaptable Cross
114714	11120166	GOODYEAR	556 2 3 8083			
		JARFLEX	7.14			
113135	11120041	GOODYEAR	556 2 3 8083			
		JARFLEX	7.14			

● BOLT / STUD ● BLIND NUT ⊗ COMBINATIONS STUD ⊗ AIR INLET

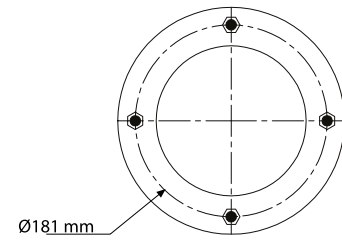
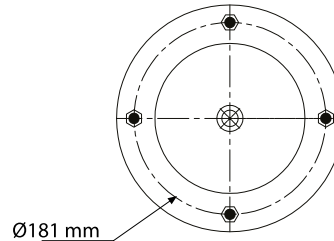


STYLE 3B - 255



TOP VIEW

BOTTOM VIEW



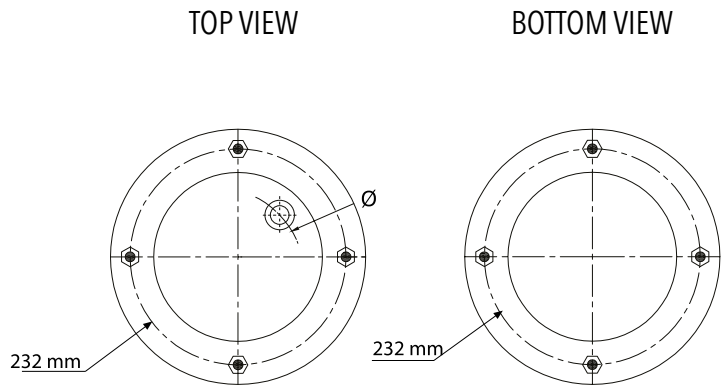
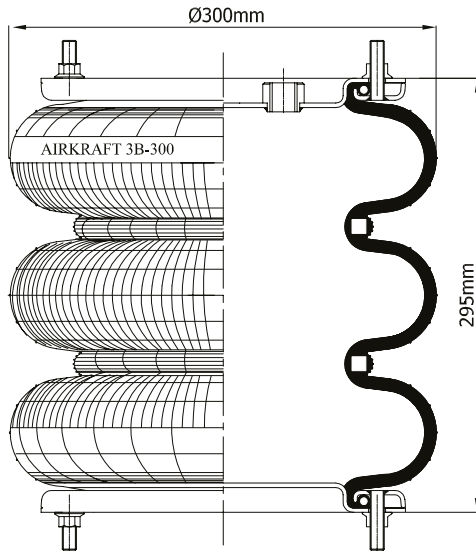
Reference	Order No	Description	⊗
116005	11140061	Rubber bellow only	
115055	11140029	Top/Bottom plate M10 (bolts)	Rp 1/2
115056	11140030	Top/Bottom side only clamp ring M10	

Reference	Order No	Adaptable Cross	Reference	Order No	Adaptable Cross
116005	11140061	DUNLOP (UK) PNP 305450110	115056	11140030	CONTITECH FT 210-32
		FIRESTONE FLEX 10x3			DUNLOP (FR) SP 1015 (10"x 3)
115055	11140029	CONTITECH FT 210-32 1/2 M10			
		DUNLOP (FR) SP 1539 (10"x 3)			
		WEFORMA WBD-G 450			
		NORGREN M/31103 (10"x 3)			
		DUNLOP (FR) SP 1015 (10"x 3)			
		FIRESTONE W01-R58 4059			

● BOLT / STUD ● BLIND NUT ⊗ COMBINATIONS STUD ⊗ AIR INLET ∅ DISTANCE TO CENTER



STYLE 3B - 300



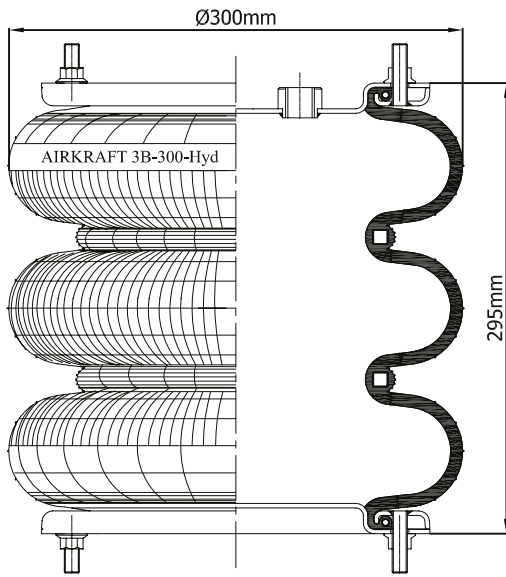
Reference	Order No	Description	⊗	∅
116001	11140057	Rubber bellow only		
115003	11140001	Top/Bottom plate M10 (bolts)	RP1/2	center
115004	11140002	Top/Bottom plate M10 (bolts)	M16X1.5	120mm
115007	11140004	Top/Bottom side only clamp ring M10		
115014	11140010	Top plate M10 (25mm Bolts), Bottom plate M10 (78mm Bolts)	RP1/2	center
115006	11140097	Top/Bottom plate M10 (bolts), Bumper (120mm)	M16x1,5	120mm

Reference	Order No	Adaptable Cross	Reference	Order No	Adaptable Cross
116001	11140057	DUNLOP (FR) 12"x 3 SP 259	115007	11140004	CONTITECH FT 412-32 S
		FIRESTONE FLEX 12x3			DUNLOP (FR) SP 1033 NB
115003	11140001	CONTITECH FT 412-32 / 66339	115014	11140010	
		DUNLOP (FR) 12"x 3 SP 1542 NB			
		WEFORMA WBD-G 550			
		NORGREN M/31123 (12"x3)			
		FIRESTONE W01 R58 4062			
		GOODYEAR SPRINGRIDE 3B12-2452			
		GOODYEAR FLEX SPRINGRIDE 578 9 3 3 2451			
		CF GOMMA T28B / 90559			
		DUNLOP (UK) PNP305520178			
115004	11140002	CONTITECH FT 412-32			
		DUNLOP (FR) 12"x 3 SP 2666NB			
		FIRESTONE W01 R58 4037			
		GOODYEAR 3B12-2455			

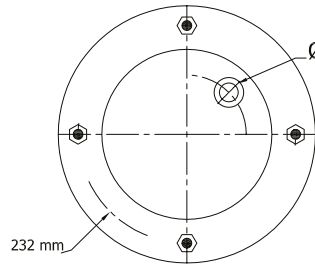
● BOLT / STUD ● BLIND NUT ⊗ COMBINATIONS STUD ⊗ AIR INLET ∅ DISTANCE TO CENTER



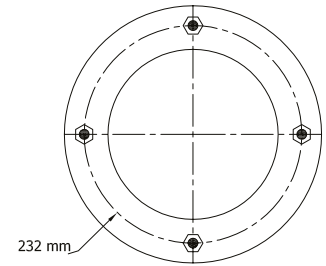
STYLE 3B - 300HYD



TOP VIEW



BOTTOM VIEW



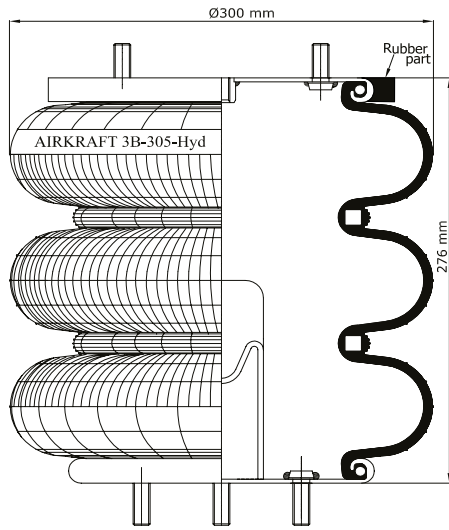
Reference	Order No	Description	⊗	⊙
High Strength Bellows - Four Ply				
116003	11140059	Rubber bellow only		
115005	11140003	Top/Bottom side only clamp ring 12XM8 bolts		
115011	11140008	Top/Bottom plate M10 (bolts)	RP1/2	center
115012	11140009	Top/Bottom plate M10 (bolts)	M16X1.5	120mm
115013	11140069	Top/Bottom side only clamp ring M10(bolts)		

Reference	Order No	Adaptable Cross		Reference	Order No	Adaptable Cross
116003	11140059	CONTITECH	FT 412-32 S			
		DUNLOP (FR)	12"x 3 RE			
115005	11140003	CONTITECH	FT 412-32 S			
		DUNLOP (FR)	12"x 3 RE SP 2597 NB			
115011	11140008	CONTITECH	FT 412-32 S			
		DUNLOP (FR)	12"x 3 RE SP 1542 NB			
115012	11140009	CONTITECH	FT 412-32 S			
		DUNLOP (FR)	12"x 3 RE SP 2666 NB			
115013	11140069	CONTITECH	FT 412-32 S			
		DUNLOP (FR)	12"x 3 RE SP 2271 NB			

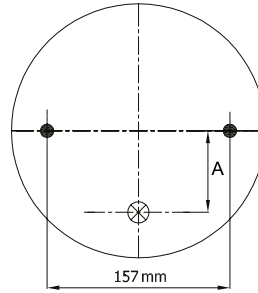
● BOLT / STUD ● BLIND NUT ⊗ COMBINATIONS STUD ⊗ AIR INLET ⊙ DISTANCE TO CENTER



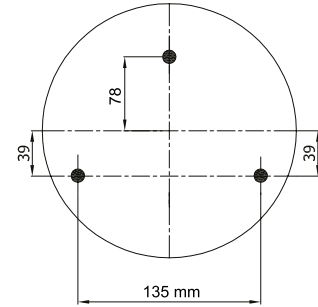
STYLE 3B - 305HYD



TOP VIEW



BOTTOM VIEW



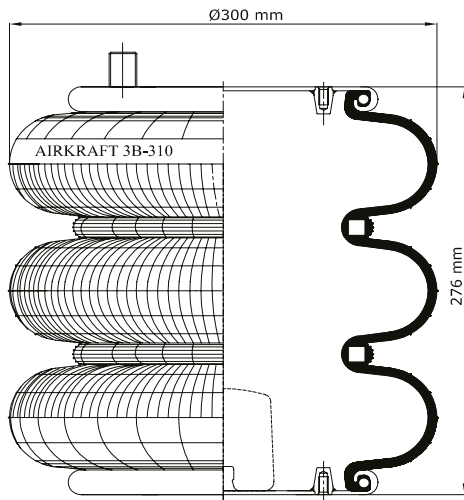
Reference	Order No	Description	⊗	A
High Strength Bellows - Four Ply				
115021	11140014	Top/Bottom plate M12 (bolts), Bumper (120mm)	M12X1.5	73mm

Reference	Order No	Adaptable Cross	Reference	Order No	Adaptable Cross
115021	11140014	BMC 57RS3066424			

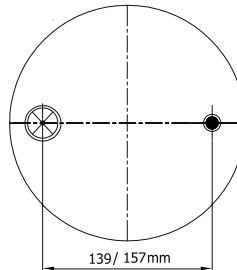
● BOLT / STUD ● BLIND NUT ⊗ COMBINATIONS STUD ⊗ AIR INLET A DISTANCE TO CENTER



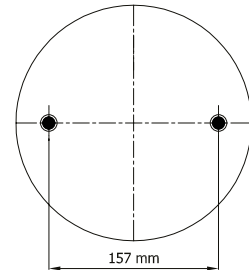
STYLE 3B - 310



TOP VIEW



BOTTOM VIEW



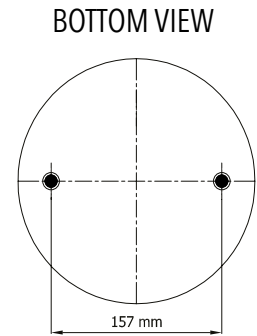
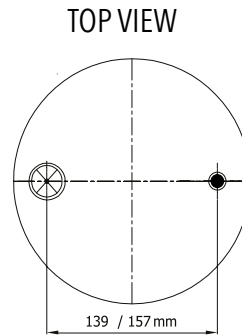
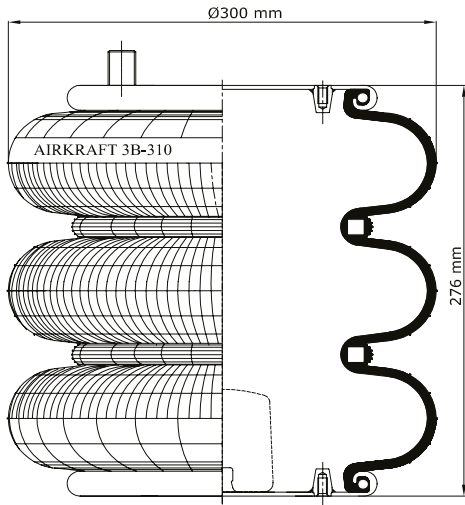
Reference	Order No	Description	
116008	11140062	Rubber bellow only	
115016	11140012	Top Plate 3/8"-16 (Blind nuts) Assembly Axis- 139.7 mm Bottom Plate 3/8"-16 (Blind nuts) Assembly Axis- 157.5 mm Bumper - 112 mm	3/4-16+1/4 NPT
115034	11140023	Top Plate 3/8"-16 (Blind nuts) Assembly Axis- 139.7 mm Bottom Plate 3/8"-16 (Blind nuts) Assembly Axis- 157.5 mm Bumper - 112 mm	3/4-16+1/4 NPT
115072	11140070	Top Plate 3/8"-16 (Blind nuts) Assembly Axis- 139.7 mm Bottom Plate 3/8"-16 (Blind nuts) Assembly Axis- 157.5 mm Bumper - 120 mm	3/4-16+1/4 NPT
115087	11140087	Top Plate 3/8"-16 (Blind nuts) Assembly Axis- 139.7 mm Bottom Plate 3/8"-16 (Blind nuts) Assembly Axis- 157.5 mm Bumper - 112 mm	3/4-16+1/4 NPT

Reference	Order No	Adaptable Cross	Reference	Order No	Adaptable Cross
116008	11140062	FIRESTONE 38R/38D	115072	11140070	FIRESTONE W01-358-7994
		FIRESTONE 095.0047			CONTITECH FT 330-29 546
		GOODYEAR FLEX 556 3 3 8334			GOODYEAR 3B12-328
		GOODYEAR FLEX 578 93 3 100			
115016	11140012	FIRESTONE W01 358 8032	115087	11140087	FIRESTONE W01-358-7995
		CONTITECH FT 330-29 413			CONTITECH FT 330-29 547
		GOODYEAR 3B12 - 319			GOODYEAR 3B12-315/329
115034	11140023	FIRESTONE W01-358-8008			
		FIRESTONE W01-358-8025			
		FIRESTONE W01-358-8028			
		CONTITECH FT 330-29 431/469			
		GOODYEAR 3B12-300			

● BOLT / STUD ● BLIND NUT ⊗ COMBINATIONS STUD ⊗ AIR INLET



STYLE 3B - 310



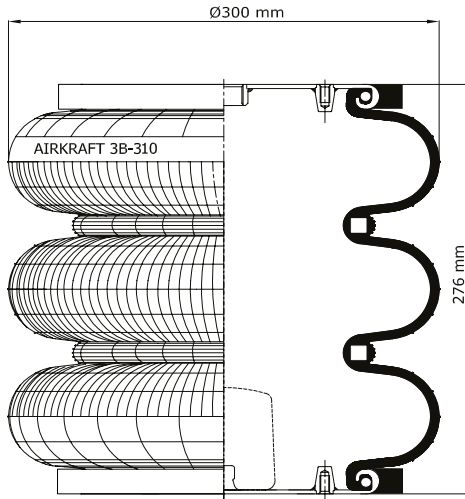
Reference	Order No	Description	⊗
115037	11140071	Top Plate 1/2"-13 (Bolts) Bottom Plate 3/8"-16 (Blind nuts) Bumper- 112 mm	3/4--16+1/4 NPT
115036	11140072	Top Plate 1/2"-13 (Bolts) Bottom Plate 3/8"-16 (Blind nuts) Bumper- 112 mm	3/4--16+1/4 NPT

Reference	Order No	Adaptable Cross		Reference	Order No	Adaptable Cross	
115037	11140071	FIRESTONE	W01-358-7996	115036	11140072	FIRESTONE	W01 358 8016
		CONTITECH	FT 330-29 520 / 723			CONTITECH	FT 330-29 433
		GOODYEAR	3B12-335				

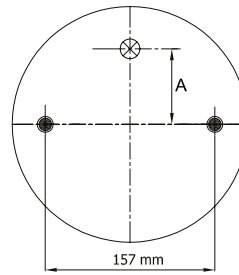
● BOLT / STUD ● BLIND NUT ⊗ COMBINATIONS STUD ⊗ AIR INLET



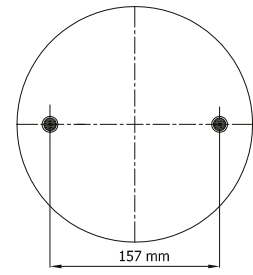
STYLE 3B - 310



TOP VIEW



BOTTOM VIEW



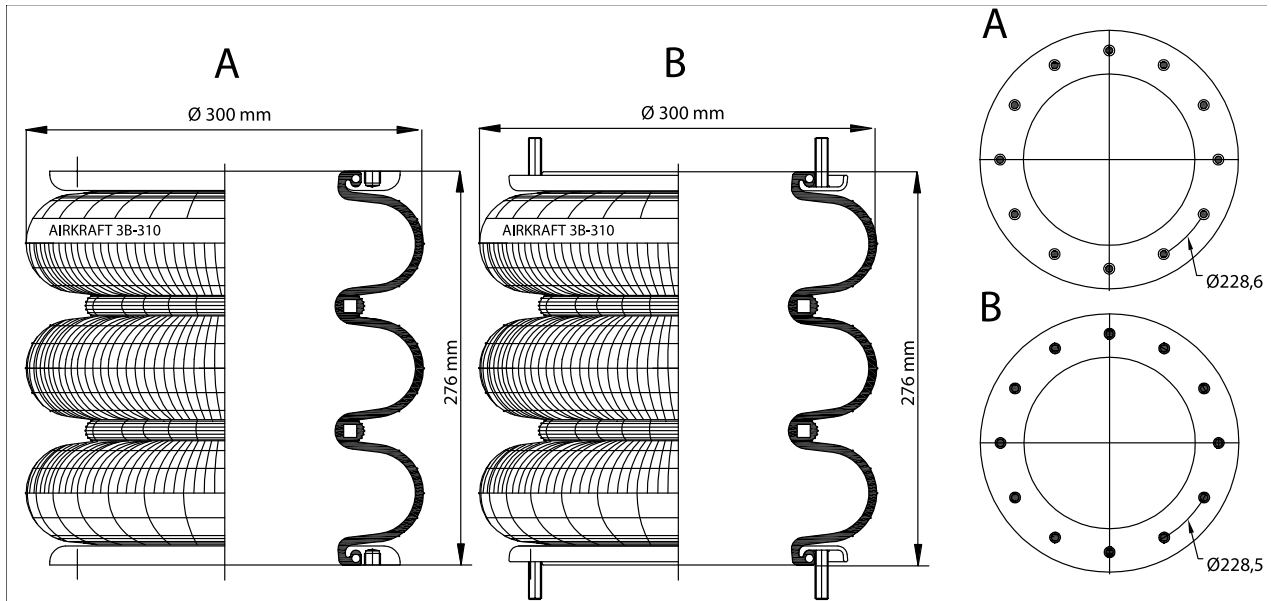
Reference	Order No	Description	⊗	A
116008	11140062	Rubber bellow only		
115023	11140015	Top / Bottom Plate M8 (Blind nuts)	M22X1.5	73 mm
115027	11140017	Top / Bottom Plate 3/8"-16 (Blind nuts)	1/4 NPT	73 mm
115033	11140073	Top / Bottom Plate 3/8"-16 (Blind nuts)	3/4 NPT	73 mm
115035	11140074	Top / Bottom Plate 3/8"-16 (Blind nuts) Bumper 112 mm	1/4 NPT	73 mm

Reference	Order No	Adaptable Cross	Reference	Order No	Adaptable Cross
116008	11140062	FIRESTONE 38R/38D	115035	11140074	CONTITECH FT 330-29 498
		FIRESTONE 095.0047			CONTITECH FT 330-29 432
		GOODYEAR FLEX 556 3 3 8334			FIRESTONE W01 358 8030
		GOODYEAR FLEX 578 93 3 100			FIRESTONE W01-358-8010
115023	11140015	FIRESTONE 38R T3 095.0274			GOODYEAR 3B12-301
		GOODYEAR 556 3 2 8401			
115027	11140017	CONTITECH FT 330-29 503			
		CONTITECH FT 330-29 702			
		GOODYEAR 3B12-304			
115033	11140073	FIRESTONE W01-358-8013			
		CONTITECH FT 330-29 773			
		GOODYEAR 3B12-305			

● BOLT / STUD ● BLIND NUT ⊗ COMBINATIONS STUD ⊗ AIR INLET A DISTANCE TO CENTER



STYLE 3B - 310



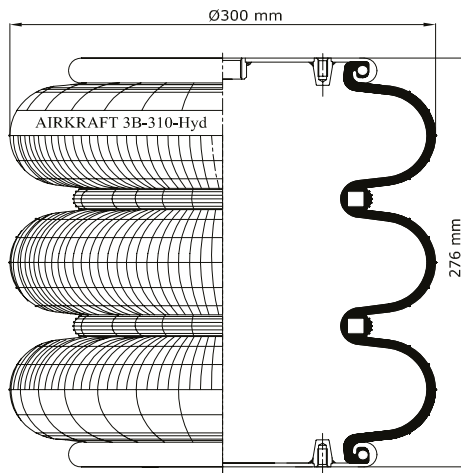
Reference	Order No	Description
116008	11140062	Rubber bellow only
115086	11140036	Top/ Bottom Side Flange (Steel) 12xM10 (Type A)
115025	11140104	Top/Bottom side only clamp ring M12x8 (Bolt) (Type B)

Reference	Order No	Adaptable Cross	Reference	Order No	Adaptable Cross
116008	11140062	FIRESTONE 38R/38D	115086	11140036	FIRESTONE 095.0154
		FIRESTONE 095.0047			GOODYEAR 556 3 2 8534
		GOODYEAR FLEX 556 3 3 8334	115025	11140104	
		GOODYEAR FLEX 578 93 3 100			

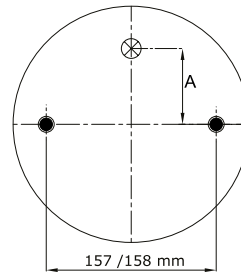
● BOLT / STUD ● BLIND NUT ⊗ COMBINATIONS STUD ⊗ AIR INLET Ø DISTANCE TO CENTER



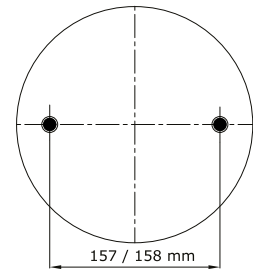
STYLE 3B - 310HYD



TOP VIEW



BOTTOM VIEW



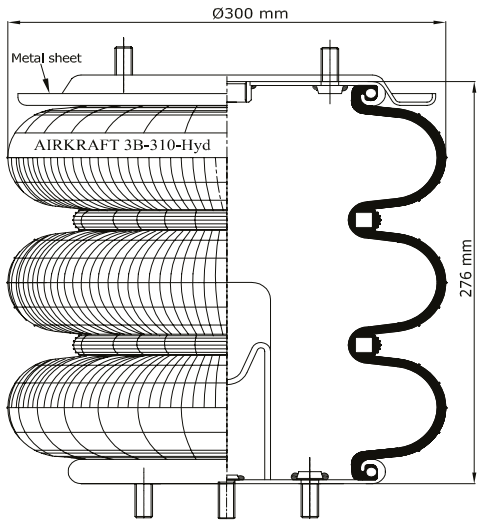
Reference	Order No	Description	⊗	A
High Strength Bellows - Four Ply				
116004	11140060	Rubber bellow only		
115009	11140006	Top Plate M12 (36mm Bolts) (Assembly axis 158mm), Bottom plate M14 (60mm Bolts)(Assembly axis 158mm)	M16X1.5	73 mm
115010	11140007	Top Plate Combostudand M12 blindnut(Assembly axis 157 mm), Bottom plate M12 Bolts (Assembly axis 157 mm), Bumper (112mm)	M20X1.5-M12X1.5	
115024	11140016	Top/bottom plate M8 (Blind nuts), Assembly axis 157 mm	G1	66 mm
115082	11140075	Top/bottom plate M8 (Blind nuts) Assembly axis 157mm	G 3/4	73 mm
115028	11140018	Top Plate M12 (36mm Bolts), Bottom plate M14 (60mm Bolts), Bumper (120mm)	M16x1.5	73 mm
115029	11140019	Top/Bottom Plates M12 (36mm Bolts), Assembly axis 157mm	M16x1.5	73 mm
115030	11140020	Top Plate M12 (Bolts) ,Bottom plate M14 (60mm Bolts), Assembly axis 157 mm	M16x1.5	73 mm
115032	11140022	Top/bottom plate M8 (Blind nuts), Assembly axis 157mm	G1/4	73 mm

Reference	Order No	Adaptable Cross	Reference	Order No	Adaptable Cross
116004	11140060	CONTITECH FT 330-29 S	115028	11140018	GART 271.3.298 (T271/S)
		FIRESTONE FLEX 38			CF GOMMA 322 BB 204413
115009	11140006	PIRELLI 322 BB-93410	115029	11140019	GART 271.3.298 / 2
		DUNLOP 12"x3 RE NB SP 12350			CF GOMMA 322 BB 204450
115010	11140007	FIRESTONE W01 M58 8017	115030	11140020	PIRELLI 93410 322 B.B
		DUNLOP S 12302 (12"x3 NB)			115032
115024	11140016	CONTITECH FT 330-29 61830	WEFORMA WBD 500-E2		
		WEFORMA WBD 500-E1	BOSCH 822419081		
115082	11140075	NORGREN PM/31123(12"x3)			

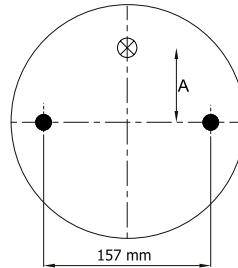
● BOLT / STUD ● BLIND NUT ⊗ COMBINATIONS STUD ⊗ AIR INLET A DISTANCE TO CENTER



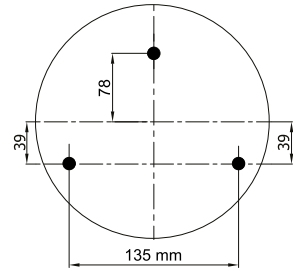
STYLE 3B - 310HYD



TOP VIEW



BOTTOM VIEW



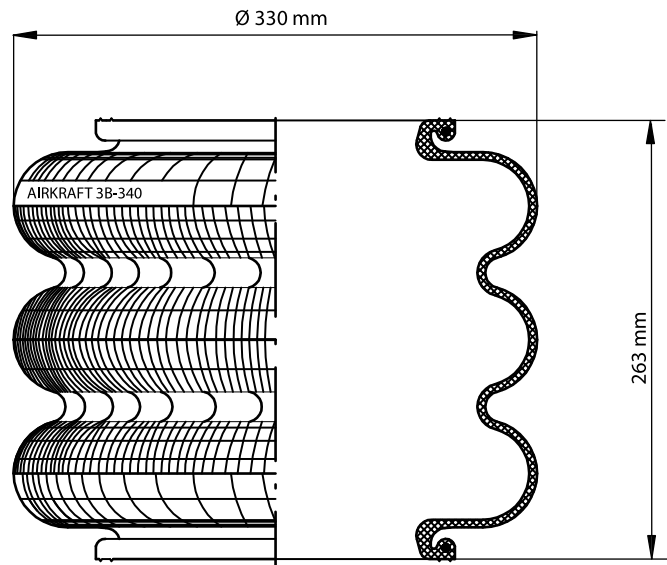
Reference	Order No	Description	⊗	A
High Strength Bellows - Four Ply				
116004	11140060	Rubber bellow only		
115008	11140005	Top/bottom plate M12 (Bolts), Bumper (120mm)	M12X1.5	(-)73 mm
115015	11140011	Top/bottom plate M12 (Bolts), Bumper (120mm), Top plate with metal sheet	M12X1.5	73 mm
115017	11140013	Top/bottom plate M12 (Bolts), Bumper (120mm)	M12X1.5	73 mm

Reference	Order No	Adaptable Cross	Reference	Order No	Adaptable Cross
116004	11140060	CONTITECH FT 330-29 S	115017	11140013	MERCEDES-ACTROS-TURKEY
		FIRESTONE 38			
115008	11140005	CONTITECH FT 330-29 P01			
		GART T271 /S 271.3.296			
115015	11140011				

● BOLT / STUD ● BLIND NUT ⊗ COMBINATIONS STUD ⊗ AIR INLET A DISTANCE TO CENTER



STYLE 3B - 340



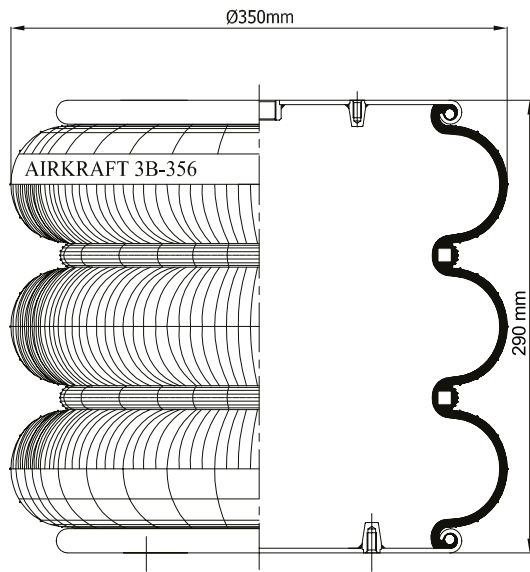
Reference	Order No	Description
116060	11140103	Rubber bellow only

Reference	Order No	Adaptable Cross	Reference	Order No	Adaptable Cross
116060	11140103	Rubena 340x3			

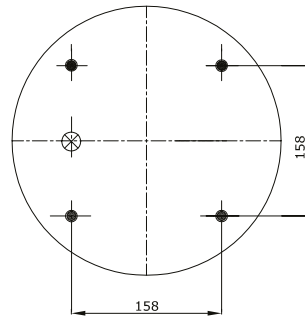
● BOLT / STUD ● BLIND NUT ⊗ COMBINATIONS STUD ⊗ AIR INLET



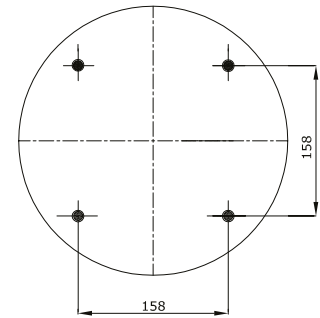
STYLE 3B - 356



TOP VIEW



BOTTOM VIEW



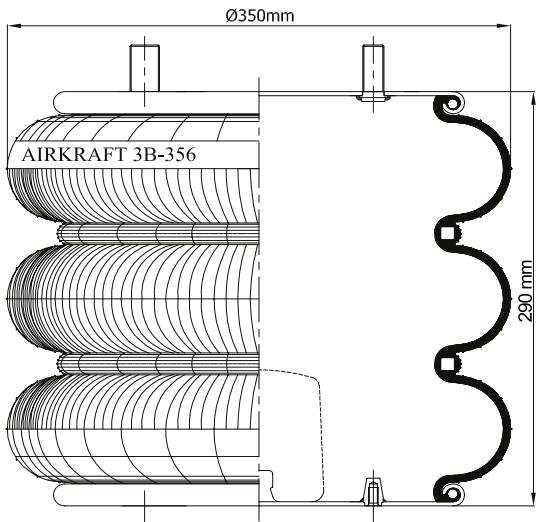
Reference	Order No	Description	⊗
116055	11140068	Rubber bellow only	
115059	11140076	Top/bottom plate 3/8"-16 UNC (Blind nuts) Bumper 112 mm	1/4 NPT
115051	11140026	Top/bottom plate M8 (Blind nuts)	G 3/4
115053	11140027	Top/bottom plate M8 (Blind nuts)	G1
115060	11140077	Top/bottom plate 1/2"-13 UNC (Bolts)	1/4 NPT
115054	11140028	Top/bottom plate M8 (Blind nuts)	G 1/4
115061	11140032	Top/bottom plate 3/8"-16 UNC (Blind nuts)	1/4 NPT
115070	11140034	Top/bottom plate 1/2"-13 UNC (Bolts) Bumper 112 mm	1/4 NPT

Reference	Order No	Adaptable Cross	Reference	Order No	Adaptable Cross
116055	11140068	CONTITECH FT 530-32	115060	11140077	FIRESTONE W01 358 7800
		FIRESTONE FLEX 313			GOODYEAR 3B14-360
		GOODYEAR FLEX 578-93-3-350			CONTITECH FT 530-32 333
115059	11140076	FIRESTONE W01 358 7798	115054	11140028	CONTITECH FT 530-32 _60717
		GOODYEAR 3B14-356			WEFORMA WBD 600-E2
		CONTITECH FT 530-32 329			BOSCH 822419082
		HENDRICKSON 13039			
115051	11140026	WEFORMA WBD 600-E3	115061	11140032	FIRESTONE W01-358-7808
115053	11140027	WEFORMA WBD 600 E1			GOODYEAR 3B14-350
					CONTITECH FT 530-32 336
					HENDRICKSON 13157
			115070	11140034	FIRESTONE W01 358 7818
					GOODYEAR 3B14-359
					CONTITECH FT 530-32 325

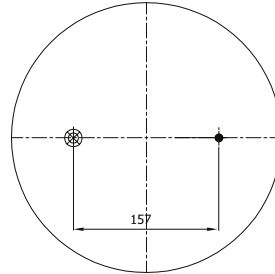
● BOLT / STUD ● BLIND NUT ⊗ COMBINATIONS STUD ⊗ AIR INLET



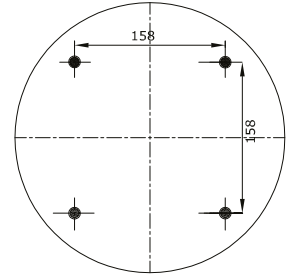
STYLE 3B - 356



TOP VIEW



BOTTOM VIEW



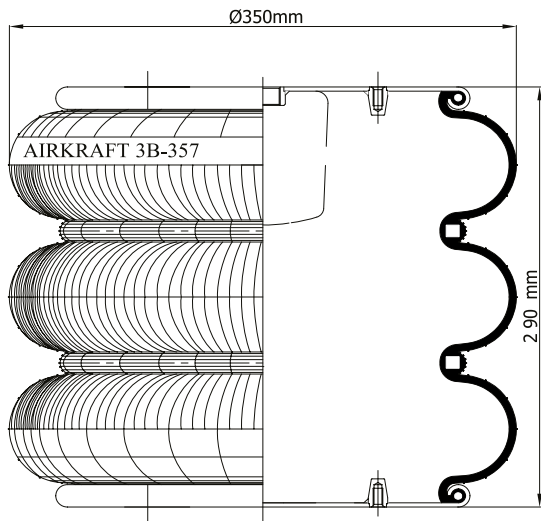
Reference	Order No	Description	⊗
116055	11140068	Rubber bellow only	
115062	11140078	Top Plate 1/2"-13 (Bolt) Bottom Plate 3/8"-16 UNC (Blind nuts) Bumper 112 mm	1/4 NPT

Reference	Order No	Adaptable Cross		Reference	Order No	Adaptable Cross	
116055	11140068	CONTITECH	FT 530-32	115062	11140078	FIRESTONE	W01-358-7797
		FIRESTONE	095.0113			CONTITECH	FT 530-32 535
		FIRESTONE FLEX	313			HENDRICKSON	1346
		GOODYEAR FLEX	578-93-3-350				

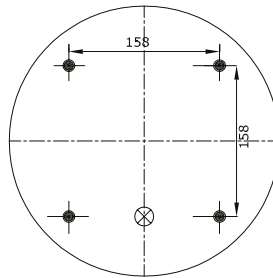
● BOLT / STUD ● BLIND NUT ⊗ COMBINATIONS STUD ⊗ AIR INLET



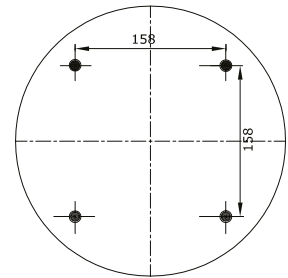
STYLE 3B - 357



TOP VIEW



BOTTOM VIEW



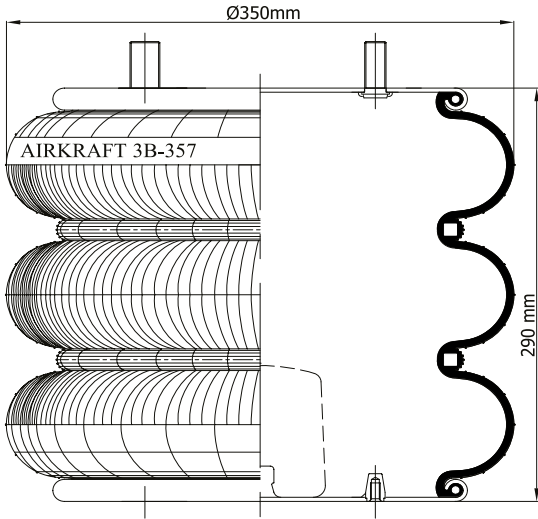
Reference	Order No	Description	⊗
116051	11140063	Rubber bellow only	
115067	11140079	Top/bottom plate 3/8"-16 (Blind nuts)	1/4 NPT
115063	11140080	Top/bottom plate 3/8"-16 (Blind nuts) Bumper- 112 mm	1/4 NPT
115038	11140024	Top/bottom plate M12x1.75 (Blind nuts) Bumper- 112 mm	M22X1.5
115039	11140025	Top/bottom plate M8x1.25 (Blind nuts) Bumper- 112 mm	M22X1.5
115049	11140081	Top/bottom plate M8 (Blind nuts)	G1
115050	11140082	Top/bottom plate M8 (Blind nuts)	G1/4
115068	11140033	Top Plate 1/2"-13 UNC (Bolts) Bottom Plate 3/8"-16 UNC (Blind nuts) Bumper 112 mm	1/4 NPT
115065	11140083	Top/bottom plate 1/2"-13 (Bolts)	1/4 NPT
115064	11140084	Top/bottom plate 1/2"-13 (Bolts) Bumper 112 mm	1/4 NPT
115069	11140085	Top/bottom plate 1/2"-13 (Bolts) Bumper 112 mm	3/4 NPT

Reference	Order No	Adaptable Cross	Reference	Order No	Adaptable Cross
116051	11140063	CONTITECH FT 530-35	115068	11140033	FIRESTONE W01-358-7855
		FIRESTONE 095.0166			CONTITECH FT 530-35 522
		FIRESTONE FLEX 333			
115067	11140079	FIRESTONE W01-358-7845	115065	11140083	FIRESTONE W01-358-7848
		CONTITECH FT 530-35 521			CONTITECH FT 530-35 439
115063	11140080	FIRESTONE W01-358-7838	115064	11140084	FIRESTONE W01-358-7839
		CONTITECH FT 530-35 436			CONTITECH FT 530-35 437
		GOODYEAR 3B14-356			GOODYEAR 3B14-359 / 444
115038	11140024		115069	11140085	FIRESTONE W01-358-7853
115039	11140025				CONTITECH FT 530-35 537
115049	11140081				
115050	11140082				

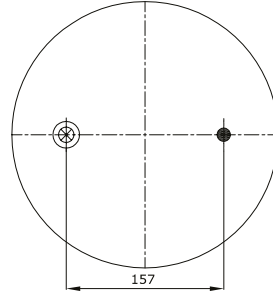
● BOLT / STUD ● BLIND NUT ⊗ COMBINATIONS STUD ⊗ AIR INLET



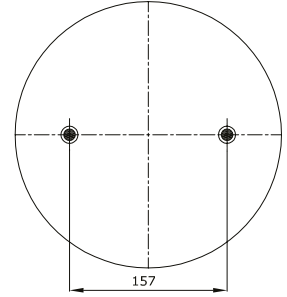
STYLE 3B - 357



TOP VIEW



BOTTOM VIEW



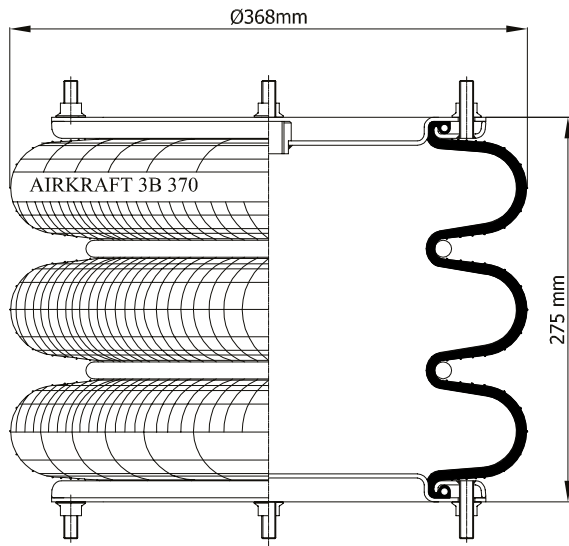
Reference	Order No	Description	⊗
116051	11140063	Rubber bellow only	
115066	11140086	Top Plate 1/2"-13 UNC (Bolt) Bottom Plate 3/8"-16 (Blind nuts) Bumper 112 mm	1/4 NPT

Reference	Order No	Adaptable Cross		Reference	Order No	Adaptable Cross	
116051	11140063	CONTITECH	FT 530-35	115066	11140086	FIRESTONE	W01-358-7850
		FIRESTONE	FLEX 333			CONTITECH	FT 530-35 441
						GOODYEAR	3B14-370 / 452

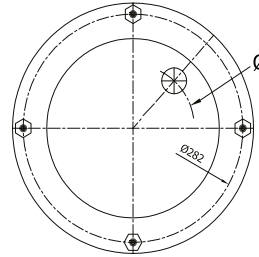
● BOLT / STUD ● BLIND NUT ⊗ COMBINATIONS STUD ⊗ AIR INLET



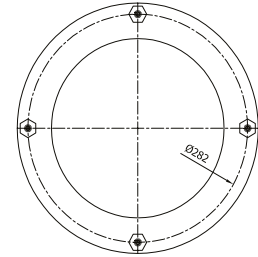
STYLE 3B - 370



TOP VIEW



BOTTOM VIEW



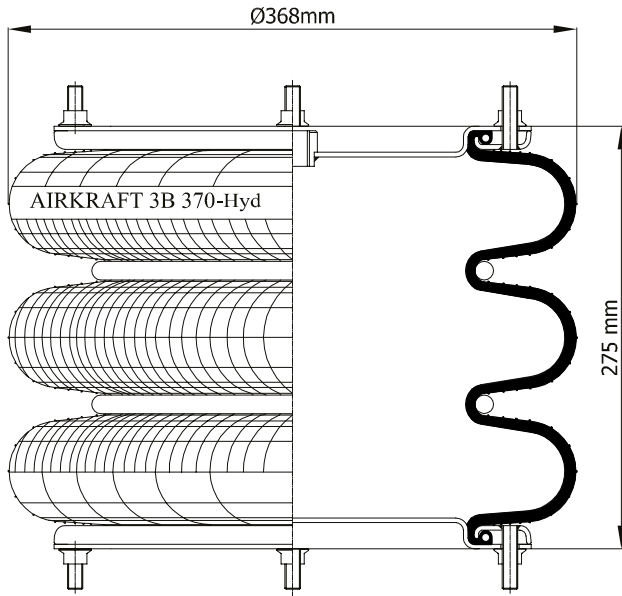
Reference	Order No	Description	⊗	∅
116100	11140065	Rubber bellow only		
115103	11140041	Top/Bottom plate M10 (bolts)	M22X1,5	center
115104	11140042	Top/Bottom plate M10 (bolts)	M22X1,5	170 mm
115105	11140043	Top/Bottom side only clamp ring M10		
115108	11140046	Top/Bottom plate M10 (bolts)	Rp 1/2	center
115109	11140047	Top/Bottom plate M10 (bolts)	Rp 1/2	170 mm

Reference	Order No	Adaptable Cross	Reference	Order No	Adaptable Cross
116100	11140065	CONTITECH FT 614-36 S	115108	11140046	CONTITECH FT 614-36 1/2M10
		DUNLOP (FR) 14"½ x 3 SP 2007			DUNLOP (FR) 14"½ x 3 SP 1558
		FIRESTONE FLEX 14x3.5			DUNLOP (UK) PNP304140142
115103	11140041	CONTITECH FT 614-36 S	115109	11140047	FIRESTONE W01 R58 40 65
		DUNLOP (FR) 14"½ x 3 SP 2279			WEFORMA WBD-G 590
		DUNLOP (FR) 14"½ x 3 SP 2547			NORGREN M/31143 (14"½ x 3)
115104	11140042	CONTITECH FT 614-36 S			CONTITECH FT 614-36
		DUNLOP (FR) 14"½ x 3 SP 2169			DUNLOP (FR) 14"½ x 3
115105	11140043	CONTITECH FT 614-36			
		DUNLOP (FR) 14"½ x 3 SP 2169			

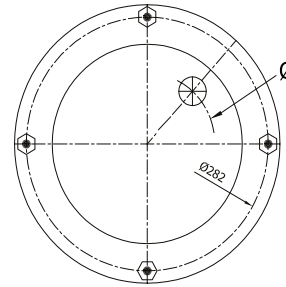
● BOLT / STUD ● BLIND NUT ⊗ COMBINATIONS STUD ⊗ AIR INLET ∅ DISTANCE TO CENTER



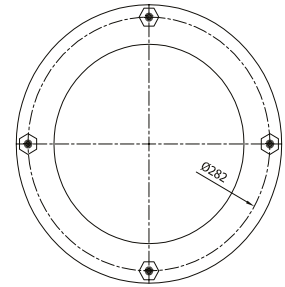
STYLE 3B - 370HYD



TOP VIEW



BOTTOM VIEW



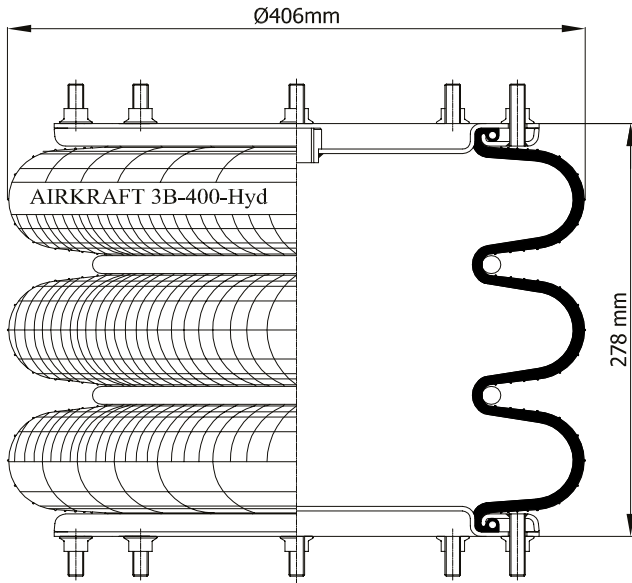
Reference	Order No	Description	⊗	∅
High Strength Bellows - Four Ply				
116101	11140066	Rubber bellow only		
115100	11140038	Top/Bottom plate 8x M10 (bolts)	M22X1,5	center
115101	11140039	Top/Bottom plate 8xM10 (bolts)	M22X1,5	170 mm
115102	11140040	Top/Bottom side only clamp ring 8xM10		
115106	11140044	Top/Bottom plate 8xM10 (bolts)	Rp 1/2	center
115107	11140045	Top/Bottom plate 8xM10 (bolts)	Rp 1/2	170 mm
115110	11140048	Top/Bottom side only clamp ring 4XM10 Bolts		
115111	11140049	Top/Bottom plate 4XM10 (bolts)	Rp 1/2	center
115113	11140050	Top/Bottom side only clamp ring 12XM8 bolts		

Reference	Order No	Adaptable Cross	Reference	Order No	Adaptable Cross
116101	11140066	CONTITECH FT 614-36 S	115110	11140048	CONTITECH FT 614-36 S
		DUNLOP (FR) SP 2007 RE			DUNLOP (FR) SP 2169 RE
115100	11140038	CONTITECH FT 614-36 S	115111	11140049	CONTITECH FT 614-36 S
		DUNLOP (FR) 14"½ x 3 RE			DUNLOP (FR) SP 2526 RE
115101	11140039	CONTITECH FT 614-36 S	115113	11140050	CONTITECH FT 614-36 S
		DUNLOP (FR) 14"½ x 3 RE			DUNLOP (FR) SP 2169 RE
115102	11140040	CONTITECH FT 614-36 S			
		DUNLOP (FR) 14"½ x 3 RE			
115106	11140044	CONTITECH FT 614-36 S			
		DUNLOP (FR) SP 2008 RE			
115107	11140045	CONTITECH FT 614-36 S			
		DUNLOP (FR) 14"½ x 3 RE			

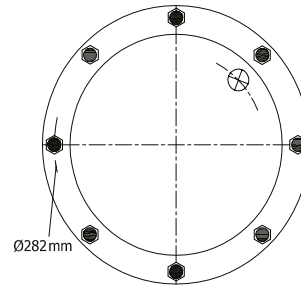
● BOLT / STUD ● BLIND NUT ⊗ COMBINATIONS STUD ⊗ AIR INLET ∅ DISTANCE TO CENTER



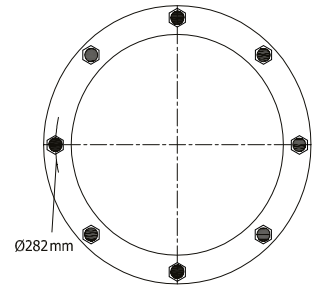
STYLE 3B - 400 / HYD



TOP VIEW



BOTTOM VIEW



Reference	Order No	Description	⊗	∅
High Strength Bellows - Four Ply				
116151	11140067	Rubber bellow only		
115150	11140051	Top/Bottom plate 8xM10 (bolts)	M22X1,5	center
115151	11140052	Top/Bottom plate 8xM10 (bolts)	M22X1,5	170 mm
115152	11140053	Top/Bottom side only clamp ring 8xM10		
115153	11140054	Top/Bottom plate 8xM10 (bolts)	Rp 1/2	center
115154	11140055	Top/Bottom plate 8xM10 (bolts)	Rp 1/2	170 mm
115155	11140056	Top/Bottom plate 4xM10 (bolts)	Rp 1/2	center
Two Ply Bellows				
116150	11140098	Rubber bellow only		

Reference	Order No	Adaptable Cross	Reference	Order No	Adaptable Cross
116151	11140067	DUNLOP (FR) 16"x 3 RE			
115150	11140051	DUNLOP (FR) 16"x 3 RE			
115151	11140052	DUNLOP (FR) 16"x 3 RE			
115152	11140053	DUNLOP (FR) 16"x 3 RE			
115153	11140054	DUNLOP (FR) 16"x3 RE-SP 2156			
115154	11140055	DUNLOP (FR) 16"x3 RE-SP 2156			
115155	11140056	DUNLOP (FR) 16"x3 RE-SP 2141			

● BOLT / STUD ● BLIND NUT ⊗ COMBINATIONS STUD ⊗ AIR INLET ∅ DISTANCE TO CENTER



CONVOLUTED AIR SPRINGS

OEM REFERENCE LIST

OEM REFERENCES

OEM Reference	Reference	Order No	Page No
AMERICAN CARRIER			
8003-005	113503	11120184	55
8003-006	113067	11120029	20

BARTOLETTI			
91621322	115005	11140003	70

BENALU			
M 002297	115004	11140002	69
M 063796	113301	11120047	41

BINKLEY			
XB-SPN-053-37	113341	11120066	49

BUSSING			
546905134/831120120	113306	11120049	43

BMC			
57RS3066424	115021	11140014	71

BPW			
02.2002.05.00	114250	11120152	40
02.2002.19.00	113306	11120049	43
05 429 00 010	113250	11120045	40
05 429 00 040 / 02.2002.08.00	114150	11120150	35
05 429 00 040	113150	11120042	35
02.200.20.90.0	114151	11120151	35
05.419.00.28.0	113150	11120042	35
02.200.20.50.0	114250	11120152	40

BRAKE WHELL			
M3505	113495	11120181	55

CARDI			
580553800	113361	11120079	60

CHEREAU			
	113558	11120189	55

DAF			
654464	113001	11120001	
654464	113017	11120014	
1192203	114150	11120150	35
1307058	113453	11120101	55
1.192.203	114151	11120151	35

DAIMLERCHRYSLER			
6.883.207.021	113547	11120136	
A 946 328 21 01	113012	11120011	33
A 946 328 21 01	113484	11120119	33

DAYTON			
354-6902	113027	11120018	
354-6905	113028	11120019	
354-6910	113017	11120014	
3547410	113334	11120064	42
3547145	113495	11120181	55

DINA			
A-8127-19	113017	11120014	

OEM Reference	Reference	Order No	Page No
DIEBOLT			
2799070	115104	11140042	83

EVELEY			
RA 1990-1	113454	11120102	56

EZ RIDE			
8030155	115034	11140023	72
8030160	113480	11120180	53
8030170	115061	11140032	79
8030180	115070	11140034	79
8030190	113490	11120123	44

EZ RIDE HOLLAND(NEWAY)			
90557039	113503	11120184	55

FACCHINI			
03.08.5017.02	115038	11140024	
03.08.5017.11	113477	11120113	43

FRUEHAUF / GT FRUEHAUF			
M80A04 / F480054	113060	11120027	22
M078246	113330	11120062	
VFA 2520-1	115104	11140042	83
J40 108 M08 A05	113359	11120078	59
M002297	115004	11140002	69
U.JB 09 85/A	113301	11120047	41

FREIGHTLINER			
16-11378-000	113334	11120064	42
16-10769-000	113333	11120063	44
16-11379-000	113334	11120064	42
16-10796-000	113333	11120063	44

GIGANT			
190130	113482	11120117	
196028	113053	11120022	20
196028	113054	11120023	20
881202	113300	11120046	41
881204	115003	11140001	69
881205	113358	11120077	59

GMC			
693230	113333	11120063	44

GRANNING			
1014	115070	11140034	79
1015/15663	113464	11120107	56
1218	114302	11120155	48/49
1218	113311	11120054	48
1218	113493	11120178	48
1218	113450	11120098	54/55
1371	113017	11120014	26
1371/15603	113482	11120117	25
15603	113001	11120001	25
15603	114300	11120153	41
15646	113308	11120051	44
15646	113312	11120055	43
15647	113454	11120102	56





OEM REFERENCES

OEM Reference	Reference	Order No	Page No	OEM Reference	Reference	Order No	Page No
15670	113012	11120011	33	1626	113466	11120108	55
15670	113010	11120009	33	15816	115003	11140001	69
15670	113473	11120109	33				
15673	115010	11140007	76	GUERRA			
15710	113011	11120010	34	5002 004 018000	113325	11120059	48
15710	114151	11120151	35	5002 004 062000	115023	11140015	74
15801	114050	11120145	20/21	5036 002 015006	113475	11120111	28
15803	113060	11120027	22				
15807	113100	11120038	36	HENDRICKSON			
15808	114100	11120149	36	2734	113480	11120180	53
15809	115055	11140029	68	10170	113334	11120064	42
15813	113300	11120046	41	13039	115059	11140076	79
15814	113301	11120047	41	13041	115070	11140034	79
15816	115003	11140001	69	13157	115061	11140032	79
15818	116001	11140057	69	14395	113067	11120029	20
15821	113358	11120077	59	12514-014	113454	11120102	56
15822	113354	11120073	59	AS-0007/S2883	113339	11120065	42
15822	113356	11120075	60	B-1159 / B-2883 / 12514-001	113339	11120065	42
15823	114350	11120157	59	B-2630	113027	11120018	26
15824	115108	11140046	83	B-3184	113464	11120107	56
15827	115103	11140041	83	B3518 / 5270 / 45843-1	113028	11120019	26
15827	115106	11140044	84	B-8768 / 45843-3	113017	11120014	26
15827	115111	11140049	84	HS507906/P	113320	11120058	47
15829	113408	11120090	61	HS507907/P	113015	11120013	23
15830	113404	11120086	61	NA 1816	113308	11120051	44
15830	113409	11120091	61	NA 1816	113306	11120049	43
15830	115056	11140030		NA 1816	113312	11120055	43
15830	116003	11140059	70	NA 1821	113053	11120022	20
15831	114400	11120159	61	NA1860/B1159/B2883	113339	11120065	42
15832	115155	11140056	85	S1013/C1013	113333	11120063	44
15833	116151	11140067	85	S-10170	113334	11120064	42
15853	113101	11120039	36	S1080	113466	11120108	55
15863	113305	11120048	41	S1080	113466	11120108	55
15882	113359	11120078	59	S11637	115034	11140023	72
15897	115004	11140002	69	S12405	115016	11140012	72
15923	114250	11120152	40	S13035	113493	11120178	48
15947	114001	11120143	24/25/27/28/29/30	S13038	113495	11120181	55
16022	113453	11120101	55	S13046	113503	11120184	55
16036	113053	11120022	20	S2630 / B2630	113027	11120018	26
16051	114150	11120150	35	S2734	113480	11120180	53
1613	115059	11140076	79	S3184	113464	11120107	56
1626	113466	11120108	55	S6861	115070	11140034	79
17015	113405	11120087	61	S9830	113316	11120177	48
17015	113407	11120089	62	S1080	113466	11120108	55
17017	113403	11120085	61	S13038	113495	11120181	55
17017	115008	11140005	77				
17040	115009	11140006	76	HENDRICKSON AUX			
196028	113052	11120021	20	1346	115062	11140078	80
2725	113339	11120065	42	NA1816	113490	11120123	44
2726	113333	11120063	44				
4514	115060	11140077	79	HENDRICKSON CAN			
4848	113027	11120018	26	B-12514-014	113454	11120102	56
8221 / 702932-01	115037	11140071	73	568082	113500	11120128	53
A06030604	113004	11120004	25				
15599	113002	11120002	27	HISTEER			
63502	113502	11120130	33	10300	115070	11140034	79
15807	113100	11120038	36	10315	113341	11120066	49
2726	113333	11120063	44				



OEM REFERENCES

OEM Reference	Reference	Order No	Page No
HOLAND HITCH			
4514	115060	11140077	79

HOLLAND(NEWAY)			
90557228	113501	11120129	27

IVECO			
240/36 42107595	115005	11140003	70

JUST			
AD0076	113474	11120110	26
AD0135	114714	11120166	66/67
3010702401	113484	11120119	33
JAS 30 107 024 01	113484	11120119	33
JAE 30 107 024 01	113484	11120119	33

KASSBOHRER			
473 1003000	114250	11120152	40
473 1045 100 / 300	113556	11120142	46
473 1005 000	114450	11120161	55
473 1003 000 (SG176)	114250	11120152	40
473 1024 000	114250	11120152	40

KAISER			
A 06030615	113301	11120047	41
A06030616	114300	11120153	41
A06030616	113305	11120048	41
WC 074 0236	115155	11140056	85
Y11 00063	113357	11120076	44/60
Y11000603	113355	11120074	59

LELAND			
SC2122	113502	11120130	33
SC2023	113334	11120064	42
SC2020	113333	11120063	44
SC2076	113490	11120123	44
SC2016	113495	11120181	55

LINK			
1103-0057	115062	11140078	80

KÖGEL			
6501706	113002	11120002	27

LOAD GUARD			
SC2010	113027	11120018	26
SC2011	113017	11120014	26
SC2013	113454	11120102	56
SC2014	113466	11120108	55
SC2015	113464	11120107	56
SC2017	113503	11120184	55
SC2021	113339	11120065	42
SC2023	113334	11120064	42
SC2029	115059	11140076	79
SC2030	115060	11140077	79
SC2031	115061	11140032	79
SC2032	115070	11140034	79
SC2071	113028	11120019	26

OEM Reference	Reference	Order No	Page No
SC2075	113490	11120123	44
SC2079	113480	11120180	53
SC2122	113502	11120130	33
SC2123	113013	11120012	33
SC2130	115034	11140023	72
SC2132	115027	11140017	74

LINCOLN			
MARK LT (4x2, 4x4)	113431	11120209	39

LOHR			
A06030604	113060	11120027	22
A06030605	115104	11140042	83
A06030606	115004	11140002	69
A0630601	113301	11120047	41
Y00001137	113305	11120048	41
Y00001737	114300	11120153	41

MACK			
227QS-32&57QK1113	113067	11120029	20
57QL239	113495	11120181	55

MAGIRUS			
3452571	113306	11120049	43
0342 2571	114250	11120152	40
0342 2652	114150	11120150	35
0342 2652	114151	11120151	35
0342 2571	114250	11120152	40

MAN			
81436010022 / 88964200217	114250	11120152	40
81436010022	113306	11120049	43
81436010023	114150	11120150	35
81436010023	114151	11120151	35
88.964.200.217	114250	11120152	40

MERCEDES			
A9423270601	113004	11120004	25

MERITOR			
21221395-21222663	113001	11120001	25
21221356	113010	11120009	33
21221356	113012	11120011	33
21221395	113004	11120004	25

METRO BUS			
X 6641055	114300	11120153	41

NAVI STAR			
1685175C1	113028	11120019	26
1685179C1	113490	11120123	44
1685183C1	113480	11120180	53
1685179C1	113490	11120123	44
554783C1	113017	11120014	26
554784C1	113027	11120018	26
554787C1	113339	11120065	42
554792C1	113334	11120064	42
554797C1	113503	11120184	55





OEM REFERENCES

OEM Reference	Reference	Order No	Page No
554798C1	113466	11120108	55
554799C1	113464	11120107	56
554800C1	113454	11120102	56
554802C1	115059	11140076	79
554803C1	115070	11140034	79
554792C1	113334	11120064	42
554788C1	113333	11120063	44
554796C1	113495	11120181	55

NEWAY

57006905	113028	11120019	26
5707410	113334	11120064	42
57007180	113490	11120123	44
90557237	113502	11120130	33
90557001/M05 57 003	113454	11120102	56
90557237	113502	11120130	33
90557185	113492	11120125	44
90557016 / TC1444	113333	11120063	44
57007145	113495	11120181	55

PEGASO

528919 5266/5231/5236	113001	11120001	25
5231/5236/5266	114001	11120143	24/25/27/28/29/30

PEERLESS

0550-00001	113490	11120123	44
0550-00030	115061	11140032	79

PEZZANI

AR-21-A	113454	11120102	56
---------	--------	----------	----

PORCUPINE

REPLACES 7142	113464	11120107	56
---------------	--------	----------	----

PREVOST

63-0173	113017	11120014	26
---------	--------	----------	----

RANDON

212100278	113475	11120111	28
212100072	116008	11140062	72/74/75
212100273	114301	11120154	41/43/45/46
218004237	113482	11120117	25
212007152	114029	11120172	
212007153	114203	11120171	
260000552	114714	11120166	66/67

RECRUSUL

10079887	114203	11120171	
10079904	114052	11120173	19
10079932	114302	11120155	48/49

RIDEWELL

1003586897C	113026	11120017	29
1003586801C	113480	11120180	53
1003586805C	113479	11120115	53
1003586900C	113487	11120120	26
1003586902C/S11728C	113027	11120018	26
1003586905C/S2845C	113028	11120019	26

OEM Reference	Reference	Order No	Page No
1003586910C/S4512C	113017	11120014	26
1003586948C	111001	11101001	9
1003586948C	113013	11120012	33
1003587135C	113454	11120102	56
1003587136C	113466	11120108	55
1003587140C	113464	11120107	56
1003587145C	113495	11120181	55
1003587146C	113503	11120184	55
1003587180C	113490	11120123	44
1003587400C	113333	11120063	44
1003587403C	113339	11120065	42
1003587443C	113493	11120178	48
1003587443C	113450	11120098	54/55
1003587443C	113311	11120054	48
1003587800C	115060	11140077	79
1003587808C	115061	11140032	79
1003587818C	115070	11140034	79
1003588008C	115034	11140023	72
1003588010C	115035	11140074	74
1003588016C	115036	11140072	73
1003587180C	113490	11120123	44
S4302C	113339	11120065	42
S-5844C	115035	11140077	74
1003586943C	113502	11120130	33
1003586948C	113013	11120012	33
10035874106	113334	11120064	42
1003587136C	113466	11120108	55
1003587145C	113495	11120181	55
1003587145C			

ROLFO

112273	115009	11140006	76
112273	115030	11140020	76

ROR

21221395-21222663	113001	11120001	25
21221356	113473	11120109	33
21221395-21222663	114151	11120151	35
21221356	113012	11120011	33

ROWE TRUCK

270	115062	11140078	80
-----	--------	----------	----

RVI BUS

VSM 10176	114100	11120149	36
-----------	--------	----------	----

R&S TRUCK&BODY

1027505	113027	11120018	26
1027556	113466	11120108	55
1090214	113464	11120107	56
1027519	113333	11120063	44
1027556	113466	11120108	55

SAMRO

2500013	114400	11120159	61
250-0012	114350	11120157	59
250-0012	113353	11120072	59
H250-0021	113100	11120038	36



OEM REFERENCES

OEM Reference	Reference	Order No	Page No
H250-0011	115004	11140002	69
H250-0188	113060	11120027	22
H250-0021	113100	11120038	36
H250-0010	115055	11140029	68

SAUER

P10-754	113067	11120029	20
---------	--------	----------	----

SAF

1319761	113011	11120010	34
1319761	113038	11120020	34
1319761	114151	11120151	35
1600.4.229.1004.00	113002	11120002	27
2.229.1001.00	113306	11120049	43
3.229.1001.00	113312	11120055	43
3.228.1002.01	115008	11140005	77
3.228.1002.01	113403	11120085	61
45.98.00.5419.2	113003	11120003	26

SAF HOLLAND

1608	113481	11120116	33
570-06-801	113480	11120180	53
570-06-902	113027	11120018	26
57006905	113028	11120019	26
570-06-910	113017	11120014	26
570-07-136	113466	11120108	55
570-07-140*905-57-257	113464	11120107	56
570-07-180	113490	11120123	44
570-07-410	113334	11120064	42
570-07-798	115059	11140076	79
570-07-800	115060	11140077	79
570-07-808	115061	11140032	79
570-07-818	115070	11140034	79
570-08-008	115034	11140023	72
570-07-180	113490	11120123	44
570-07-145	113495	11120181	55
905-57-001	113454	11120102	56
905-57-016	113333	11120063	44
905-57-039*024	113503	11120184	55
905-57-228	113501	11120129	27
905-57-237	113502	11120130	33
90557185	113492	11120125	44
90557016 / TC1444	113333	11120063	44
4.229.1004.00 (1609)	113002	11120002	27
4.229.1005.00/01	113476	11120112	34
4.229.1005.00	113481	11120116	33
4.229.1005.01	113481	11120116	33

SCANIA

131 9761	113002	11120002	27
1304528	113333	11120063	44
1863244	113018	11120015	27
1387283	113011	11120010	34
1387283	113038	11120020	34
1387283	114151	11120151	35
1510249	113329	11120061	45
1503813-7317	113554	11120141	45
670199	113333	11120063	44

OEM Reference	Reference	Order No	Page No
SCHMITZ			
16808	113500	11120128	53

SILENT DRIVE

AS 6882	113028	11120019	26
AS-7800	115060	11140077	79
AS-7818	115070	11140034	79
AS-8025	115034	11140023	72

SILPA

2110200003	114029	11120172	
2210200015	114203	11120171	

SMB/SUSPENSIONS INC.

M002297	115004	11140002	69
200620	115027	11140017	74
200835	113502	11120130	33

SPRING VALLEY

AS-4413	115016	11140012	72
AS-4426	113502	11120130	33
AS-4429	113013	11120012	33

SUSPENTECH

ST852	113475	11120111	28
ST853	113474	11120110	26

TERBERG

21074519	113001	11120001	25
21074519	114151	11120151	35

TOUGHLINE

1218	113311	11120054	48
1218	113493	11120178	48
1218	113450	11120098	54/55
15670	113010	11120009	33
15670	113012	11120011	33
15673	115010	11140007	76
17040	115009	11140006	76

TOYOTA

TUNDRA (4X4 only)	113431	11120209	39
TUNDRA TRD (4X2 only)	113431	11120209	39

TRES EIXOS

8927	113325	11120059	48
------	--------	----------	----

TRIANGLE

4310	113027	11120018	26
4311	113454	11120102	56
4313	113333	11120063	44
4315	113028	11120019	26
4316	113464	11120107	56
4318	113339	11120065	42
4319	113487	11120120	26
4320	113017	11120014	26
4321	113466	11120108	55
4325	115070	11140034	79





OEM REFERENCES

OEM Reference	Reference	Order No	Page No
4329	115059	11140076	79
4331	113334	11120064	42
4333	115060	11140077	79
4342	113503	11120184	55
4363	113490	11120123	44
4374	113495	11120181	55
4396	113316	11120177	48
4413	115016	11140012	72
4426	113502	11120130	33
4432	115035	11140074	74
4451	113480	11120180	53
4480	113341	11120066	49
4505	113026	11120017	29
4519	113500	11120128	53
4336-6319	115061	11140032	79
4429/6332	113013	11120012	33
4430/4503	115027	11140017	74
4431/4469/6334	115034	11140023	72
4433-4434	115036	11140072	73
4363	113490	11120123	44
4518/6336	113499	11120127	53
4519/6336	113500	11120128	53
4520-6334	115037	11140071	73
4532/6336	113479	11120115	53
4535-6319	115062	11140078	80
4539/6325	113501	11120129	27
4546-6334	115072	11140070	72
6392/4509	113067	11120029	20

TROUILLET

HB 10350	113301	11120047	41
1001270	113351	11120070	60

TRUCKSTELL/MARION MFG.

63641/63644	113454	11120102	56
63640	115061	11140032	79

TRUCK

35203-0005	113495	11120181	55
------------	--------	----------	----

UNIFERRO

02011700	114029	11120172	
02012400	114203	11120171	
26060002	114714	11120166	66/67

VALX

81005002	113012	11120011	33
----------	--------	----------	----

VIBERTI

128118102	113361	11120079	60
128118103	115005	11140003	70

VOLVO

1199733 8127151 365461	114001	11120143	24/25/27/28/29/30
3159288	113546	11120135	
6882797	113001	11120001	25
85101146	113028	11120019	26
85101158	113334	11120064	42

OEM Reference	Reference	Order No	Page No
365461 BUS B58	113482	11120117	25
365461/B 58 -365431	113001	11120001	25
6882797/365461	114151	11120151	35
6882797/365461	113150	11120042	35
0365431 (B58)	114001	11120143	24/25/27/28/29/30
0365401 (B58)	114001	11120143	24/25/27/28/29/30
6 882 797 (B58)	114001	11120143	24/25/27/28/29/30
3130488	113333	11120063	44

WATSON&CHALIN

AS-0001	113017	11120014	26
AS-0002	113027	11120018	26
AS-0003	113333	11120063	44
AS-0004	113466	11120108	55
AS-0006	115059	11140076	79
AS-0007/AS-0068	113339	11120065	42
AS-0008	113464	11120107	56
AS0019	115034	11140023	72
AS0019-1F	115072	11140070	72
AS-0020/AS-0110	113028	11120019	26
AS-0021	113480	11120180	53
AS-0025/-0033	115070	11140034	79
AS-0027	113311	11120054	48
AS-0027	113493	11120178	48
AS-0027	113450	11120098	54/55
AS-0030	113067	11120029	20
AS-0034	113499	11120127	53
AS-0034	113500	11120128	53
AS-0041	113502	11120130	33
AS0048	115016	11140012	72
AS-0048-1F	115087	11140087	72
AS-0058	113026	11120017	29
AS-0087	113341	11120066	49
AS-0123G	113479	11120115	53
AS-0122G	113013	11120012	33
AS01541G / AS01881G	113490	11120123	44
AS-0004	113466	11120108	55

WARREN

8030170	115061	11140032	79
---------	--------	----------	----

WEWELER

US 06910	113001	11120001	25
US 07880F	113452	11120100	56
US07394	113010	11120009	33
USN 5100 08DX	113408	11120090	61
USN 5100 10DX	113358	11120077	59
USN 5100 11 KD	113300	11120046	41
USN 5100 18 KD	115108	11140046	83
USN 510016D	115055	11140029	68
USO 7394C / USO 7394F	113012	11120011	33
51016D	115055	11140029	68

ZORZI

1006500	114150	11120150	35
1006506	115005	11140003	70



**CONVOLUTED
AIR SPRINGS**

**CROSS
REFERENCE
LIST**



CROSS REFERENCES

Cross Reference	Reference	Order No	Page No
AUTOMANN			
ABSP 2B 07 RA-7659	113040	11120235	15
BMC			
57RS306423	111152	11101011	14
57RS3066424	115021	11140014	71
BOSCH			
1915041000	111001	11101001	9
822419002	111002	11101002	10
822419003	111003	11101003	12
822419004	111004	11101004	13
822419008	111005	11101005	12
822419009	111006	11101006	13
822419042	113053	11120022	20
822419043	113004	11120004	25
822419044	113306	11120049	43
822419045	113453	11120101	55
822419062	113054	11120023	20
822419063	113482	11120117	25
822419064	113313	11120056	43
822419065	113460	11120105	56
822419081	115032	11140022	76
822419082	115054	11140028	79
CF GOMMA			
20/207773	113002	11120002	27
20/86599	114001	11120143	24/25/27/28/29/30
206797	113001	11120001	25
20L	113481	11120116	33
20L/207065	113476	11120112	34
20L/207776	113010	11120009	33
245 BV / 92142	114151	11120151	35
322 BB 204413	115028	11140018	76
322 BB 204450	115029	11140019	76
T20L / 207065	113082	11120250	28
T21	113358	11120077	59
T22B / ST200860C	113556	11120142	46
T26	113250	11120045	40
T26 / 84181	113053	11120022	20
T28B / 90559	115003	11140001	69
CHEVROLET			
C&K-1500 SILVERADO	113431	11120209	39
C&R 10.20.30.3500 (4X2 only)	113430	11120212	38/39
SIERRA (4X2, 4X4)	113431	11120209	39
CONTITECH			
2682 060000	113306	11120049	43
603N	114050	11120145	20/21
608 M	113250	11120045	40
608 N	114250	11120152	40
620 M Hydro / 2680898006	113150	11120042	35
620 N	114150	11120150	35
620 N Hydro	114151	11120151	35
FD 120-17 61361	113054	11120023	20
FD 120-20 509	113067	11120029	20
FD 138-18 1/2M10	113060	11120027	22

Cross Reference	Reference	Order No	Page No
FD 138-18S	114051	11120146	22
FD 200-19 1/4 M10 72047	113001	11120001	25
FD 200-19 310	113027	11120018	26
FD 200-19 315	113028	11120019	26
FD 200-19 319 / 161017	113487	11120120	26
FD 200-19 320	113017	11120014	26
FD 200-19 505 / 161300	113026	11120017	29
FD 200-19 53863	113018	11120015	27
FD 200-19 539 / 161303	113501	11120129	27
FD 200-19 72045	113482	11120117	25
FD 200-19 72046	113004	11120004	25
FD 200-19 P04/895 N/72044	113002	11120002	27
FD 200-19 S / 895 N / 72021	114001	11120143	24/25/27/28/29/30
FD 200-25 / 1/4 M10 (62892)	113012	11120011	33
FD 200-25 / 60382	113483	11120118	33
FD 200-25 426 / 161 332	113502	11120130	33
FD 200-25 429 / 161335	113013	11120012	33
FD 200-25/60555	113484	11120119	33
FD 210-22 1/2 M10	113100	11120038	36
FD 210-22 S	114100	11120149	36
FD 330-22	113306	11120049	43
FD 330-22	113308	11120051	44
FD 330-22 / 60031	113313	11120056	43
FD 330-22 313	113333	11120063	44
FD 330-22 318 / 64488	113339	11120065	42
FD 330-22 331 / 64270	113334	11120064	42
FD 330-22 363	113490	11120123	44
FD 330-22 607N	114301	11120154	42/43/45/46
FD 331-26 480	113341	11120066	49
FD 331-26 541	113343	11120068	49
FD 412-18	113305	11120048	41
FD 412-18 1/2 M10 / 66334	113300	11120046	41
FD 412-18 P01	113301	11120047	41
FD 412-18 S	114300	11120153	41
FD 530-22 / 2682 075 000	113453	11120101	55
FD 530-22 2682	113452	11120100	56
FD 530-22 311	113454	11120102	56
FD 530-22 316	113464	11120107	56
FD 530-22 321	113466	11120108	55
FD 530-22 342	113503	11120184	55
FD 530-22 374	113495	11120181	55
FD 530-22 61362	113460	11120105	56
FD 530-30 451 / 161373	113480	11120180	53
FD 530-30 518 / 161374	113499	11120127	53
FD 530-30 519 / 161375	113500	11120128	53
FD 530-30 532 / 707	113479	11120115	53
FD 614-26	114350	11120157	59
FD 614-26	113353	11120072	59
FD 614-26	113354	11120073	59
FD 614-26	113355	11120074	59
FD 614-26	113358	11120077	59
FD 614-26	113359	11120078	59
FD 614-26	114351	11120158	60
FD 614-26	113350	11120069	60
FD 614-26	113351	11120070	60
FD 614-26	113352	11120071	60
FD 614-26	113356	11120075	60
FD 614-26	113357	11120076	44/60



CROSS REFERENCES

Cross Reference	Reference	Order No	Page No	Cross Reference	Reference	Order No	Page No
W01 358 0133	112004	11101015	12	W01-358-6800	113499	11120127	53
W01 358 0142	114050	11120145	20/21	W01-358-6801	113480	11120180	53
W01 358 0226	114301	11120154	42/43/45/46	W01-358-6805	113479	11120115	53
W01 358 0259	114302	11120155	48/49	W01-358-6808	113500	11120128	53
W01 358 6890	113501	11120129	27	W01-358-6897	113026	11120017	29
W01 358 6902	113027	11120018	26	W01-358-6900	113487	11120120	26
W01 358 6905	113028	11120019	26	W01-358-6943	113502	11120130	33
W01 358 6910	113017	11120014	26	W01-358-6951	113488	11120121	33
W01 358 6932	113081	11120249	30	W01-358-6952	113489	11120122	33
W01 358 6948	113013	11120012	33	W01-358-7143	113496	11120182	55
W01 358 7136	113466	11120108	55	W01-358-7144	113497	11120183	55
W01 358 7140	113464	11120107	56	W01-358-7145	113495	11120181	55
W01 358 7208	113461	11120106	56	W01-358-7146	113503	11120184	55
W01 358 7221	113498	11120126	56	W01-358-7180	113490	11120123	44
W01 358 7325	113053	11120022	20	W01-358-7184	113491	11120124	44
W01 358 7325	113067	11120029	20	W01-358-7185	113492	11120125	44
W01 358 7327	113068	11120030	20	W01-358-7442	113494	11120179	48
W01 358 7400	113333	11120063	44	W01-358-7443	113493	11120178	48
W01 358 7403	113339	11120065	42	W01-358-7444	113316	11120177	48
W01 358 7410	113334	11120064	42	W01-358-7788	113014	11120210	29
W01 358 7440	113311	11120054	48	W01-358-7797	115062	11140078	80
W01 358 7550	113343	11120068	49	W01-358-7808	115061	11140032	79
W01 358 7555	113341	11120066	49	W01-358-7838	115063	11140080	81
W01 358 7636	113545	11120134	49	W01-358-7839	115064	11140084	81
W01 358 7659	113040	11120235	15	W01-358-7845	115067	11140079	81
W01 358 7798	115059	11140076	79	W01-358-7848	115065	11140083	81
W01 358 7800	115060	11140077	79	W01-358-7850	115066	11140086	82
W01 358 7818	115070	11140034	79	W01-358-7853	115069	11140085	81
W01 358 7929	114452	11120163	56	W01-358-7855	115068	11140033	81
W01 358 8016	115036	11140072	73	W01-358-7994	115072	11140070	72
W01 358 8030	115035	11140074	74	W01-358-7995	115087	11140087	72
W01 358 8032	115016	11140012	72	W01-358-7996	115037	11140071	73
W01 681 7110	113464	11120107	56	W01-358-8008	115034	11140023	72
W01 M58 6140	111001	11101001	9	W01-358-8010	115035	11140074	74
W01 M58 6155	111002	11101002	10	W01-358-8013	115033	11140073	74
W01 M58 6165	111003	11101003	12	W01-358-8025	115034	11140023	72
W01 M58 6166	111005	11101005	12	W01-358-8028	115034	11140023	72
W01 M58 6200	113309	11120052	44	W01-968-6771	113012	11120011	33
W01 M58 6353 / 026B 095.0275	113054	11120023	20	W01-M58 7501	113558	11120189	55
W01 M58 6374	111004	11101004	13	W01-M58-6183	113484	11120119	33
W01 M58 6375	111006	11101006	13	W01-M58-6185	113004	11120004	25
W01 M58 6381	113308	11120051	44	W01-M58-6187	113482	11120117	25
W01 M58 6387	113053	11120022	20	W01-M58-6875	113342	11120067	48
W01 M58 6891	113038	11120020	34	W01-M58-6887	113001	11120001	25
W01 M58 7182	113038	11120020	34	W01-M58-6891	113018	11120015	27
W01 M58 7394	113010	11120009	33	W01-M58-6910	113001	11120001	25
W01 M58 7679	113010	11120009	33	W01-M58-7679	113482	11120117	25
W01 M58 7894	113002	11120002	27	W01-M58-7756	113082	11120250	28
W01 M58 8017	115010	11140007	76	W01-M58-7887	113001	11120001	25
W01 R58 40 65	115108	11140046	83	W01-R58 4059	115055	11140029	68
W01 R58 4037	115004	11140002	69	W01-R58-4055	113060	11120027	22
W01 R58 4062	115003	11140001	69	W01-R58-4058	113100	11120038	36
W01 S05 7182	113011	11120010	34	W01-R58-4061	113300	11120046	41
W01-095-0009	114001	11120143	24/25/27/28/29/30	W01R584064	113358	11120077	59
W01-358 7224	113452	11120100	56	W01-R58-4073	113301	11120047	41
W01-358-0213	114450	11120161	54/55	W21-760-6397	113431	11120209	39
W01-358-0297	114001	11120143	24/25/27/28/29/30	W21-760-6781	113430	11120212	38/39





CROSS REFERENCES

Cross Reference	Reference	Order No	Page No	Cross Reference	Reference	Order No	Page No
FIRESTONE FLEX				2B 8-550	113052	11120021	20
38	116004	11140060	76/77	2B 9-257	113488	11120121	33
14x3.5	116100	11140065	83	2B 9-269	113010	11120009	33
10x3	116005	11140061	68	2B10-2350	113100	11120038	36
115	112005	11101016	13	2B12-318 / 578 9 2 3309	113492	11120125	44
116	112004	11101015	12	2B12 425	113490	11120123	44
12x3	116001	11140057	69	2B12-305	113311	11120054	48
131	112003	11101014	10	2B12-305 / 578 9 2 3310	113493	11120178	48
14.5 x 2	114350	11120157	59	2B12-307	113339	11120065	42
16	112002	11101013	9	2B12-309	113333	11120063	44
20	114001	11120143	24/25/27/28/29/30	2B12-346	113343	11120068	49
20,Sub	114004	11120144	32	2B12-406 / 578 9 2 3309	113334	11120064	42
205	114452	11120163	56	2B12-416 / 2B12-446	113316	11120177	48
21	114450	11120161	54/55	2B12-419	113494	11120179	48
22	114301	11120154	42/43/45/46	2B12-425 / 300	114250	11120152	40
22-1,5 / 095.0092	114302	11120155	48/49	2B12-429	113491	11120124	44
224C	113440	11120230	31	2B12-440 / 578 9 2 3315	113341	11120066	49
228-1,5	113545	11120134	49	2B14 356 / 578 9 2 3351	113466	11120108	55
26	113040	11120235	15	2B14 356 / 578 9 2 3353	113466	11120108	55
26	114050	11120145	20/21	2B14-352	113496	11120182	55
267C1.5	113430	11120212	38/39	2B14-353	113497	11120183	55
267C1.5	113431	11120209	39	2B14-354 / 578 9 2 3353	113495	11120181	55
26C	114052	11120173	19	2B14-355	113503	11120184	55
313	116055	11140068	79/80	2B14-359	113464	11120107	56
333	116051	11140063	81	2B14-361	113480	11120180	53
8x2	114051	11120146	22	2B14-363	113499	11120127	53
FORD				2B14-365 / 578 9 2 3356	113480	11120180	53
BRONCO FULL SIZE (4X4)	113430	11120212	38/39	2B14-452	113480	11120180	53
F-100,F-150,5-250,F-350,PICKUPS (4X2,4X4)	113430	11120212	38/39	2B14-462	113479	11120115	53
F-150 (4X2,4X4)	113431	11120209	39	2B7-540 / 2B8-2152	113053	11120022	20
F-250,F-350 OVER 8500 GVWR (4X2,4X4)	113430	11120212	38/39	2B7-548	113040	11120235	15
F250/F350 (REAR)	113440	11120230	31	2B8-2150	113060	11120027	22
GART				2B8-550	113067	11120029	20
271.3.298 (T271/S)	115028	11140018	76	2B8-552	113068	11120030	20
271.3.298 / 2	115029	11140019	76	2B8-850	113054	11120023	20
T271 /S 271.3.296	115008	11140005	77	2B9-200	113017	11120014	26
T291/2 (291.2.200)	113001	11120001	25	2B9-201 / 578 9 2 3202	113027	11120018	26
T291/2 2912203	113002	11120002	27	2B9-206 / 578 9 2 3202	113028	11120019	26
T291/2B (291.2.260)	113010	11120009	33	2B9-216 / 578 9 2 3202	113487	11120120	26
T291/2B (291.2.263)	113481	11120116	33	2B9-229	113026	11120017	29
T291/2B-291.2.263	113476	11120112	34	2B9-234	113082	11120250	28
T291/B	112001	11101017	14	2B9-239 / 578 9 2 3211	113027	11120018	26
T291/B(291.1.170) / MERCEDES-ACTROS-TURKEY	111150	11101010	14	2B9-245 / 578 9 2 3202	113014	11120210	29
GOODYEAR				2B9-246	113081	11120249	30
2B 9-223	113001	11120001	25	2B9-250 / 578 9 2 3206	113502	11120130	33
2B9-613	113018	11120015	27	2B9-251 / 578 9 2 3206	113013	11120012	33
2B9-700	113002	11120002	27	2B9-70 1	113476	11120112	34
2B9-729	113018	11120015	27	2B9-701 / 578 9 2 3206	113481	11120116	33
2B9-742	113018	11120015	27	3B12 - 319	115016	11140012	72
3B12-2452	115003	11140001	69	3B12-2455	115004	11140002	69
2B12-2452 / 578 9 2 3 2452	113300	11120046	41	3B12-300	115034	11140023	72
2B12-2457 / 9 2 3 2452	113301	11120047	41	3B12-301	115035	11140074	74
2B 14 - 465	113558	11120189	55	3B12-304	115027	11140017	74
2B 14-360/556 2 2 8554	113454	11120102	56	3B12-305	115033	11140073	74
				3B12-315/329	115087	11140087	72
				3B12-328	115072	11140070	72
				3B12-335	115037	11140071	73



CROSS REFERENCES

Cross Reference	Reference	Order No	Page No
3B14-350	115061	11140032	79
3B14-356	115059	11140076	79
3B14-356	115063	11140080	81
3B14-359	115070	11140034	79
3B14-359 / 444	115064	11140084	81
3B14-360	115060	11140077	79
3B14-360	115065	11140083	81
3B14-370 / 452	115066	11140086	82
556 2 2 8406	113550	11120139	33
556 2 2 8416	113357	11120186	44
556 2 2 8418	113547	11120136	32
556 2 2 8425	113546	11120135	24
556 2 2 8442	113477	11120113	43
556 2 2 8520	113475	11120111	28
556 2 2 8521	113474	11120110	26
556 2 2 8634	113326	11120060	48
556 2 2 8647	113478	11120114	52
556 2 2 8649	113482	11120117	25
556 2 2 8656	113473	11120109	33
556 2 2 8657	113506	11120131	33
556 2 2 8725	113507	11120132	51
556 2 3 8064	113419	11120226	63
556 2 3 8064	113417	11120218	64
556 2 3 8064	113418	11120228	65
556 2 3 8083	113136	11120198	66
556 2 3 8083	113135	11120041	67
556 2 3 8342/556 2 2 8418	113508	11120133	37
556 2 3 8411	113548	11120137	54
556 3 2 8401	115023	11140015	74
556 3 2 8534	115086	11140036	75

GOODYEAR FLEX

2B 14 / 578 9 2 3353	114450	11120161	54/55
556 2 3 8064	114613	11120167	63/64/65
556 2 3 8083	114714	11120166	66/67
556 2 3 8210 / 578 9 2 3309	114301	11120154	42/43/45/46
556 2 3 8328	114302	11120155	48/49
578 9 2 3206	114004	11120144	32
578 9 2 3310	114302	11120155	48/49
556 2 3 8329/ 578 9 2 3353	113548	11120137	54
556 2 3 8338	113507	11120132	51
556 2 3 8338	113478	11120114	52
556 3 3 8334	116008	11140062	72/74/75
578 9 2 3211	114001	11120143	24/25/27/28/29/30
578 9 2 3 2150	114051	11120146	22
578 9 3 3 100	116008	11140062	72/74/75
578-92-3-309	113333	11120063	44
578-92-3-309	113490	11120123	44
578-93-3-350	116055	11140068	79/80
579-92-3-530	114052	11120173	19
578 9 3 3 2451	115003	11140001	69

HENDRICKSON

5079	113040	11120235	15
10170	113334	11120064	42
12514-014	113454	11120102	56
13039	115059	11140076	79

Cross Reference	Reference	Order No	Page No
13157	115061	11140032	79
1346	115062	11140078	80
14395	113067	11120029	20
B-1159/B-2883/12514-001	113339	11120065	42
B-3184	113464	11120107	56
B-3518 / 5270 / 45843-1	113028	11120019	26
B-8768 / 45843-3	113017	11120014	26
HS 507906/P	113320	11120058	47
HS 507907/P	113015	11120013	23
S-1013	113333	11120063	44
S1080	113466	11120108	55
S13035	113493	11120178	48
S13038	113495	11120181	55
S13046	113503	11120184	55
S-2630	113027	11120018	26
S9830	113316	11120177	48

ISUZU

ISUZU	113504	11120202	57
-------	--------	----------	----

JARFLEX

6.13	114613	11120167	63/64/65
6.13	113419	11120226	63
6.13	113417	11120218	64
6.13	113418	11120228	65
7.14	113136	11120198	66
7.14	113136	11120198	66
7.14	114714	11120166	66/67
7.14	113135	11120041	67

LINCOLN

MARK LT (4X2, 4X4)	113431	11120209	39
--------------------	--------	----------	----

NORGREN

M / 31122 (12"x2)	113300	11120046	41
M/31062 (6"x2)	113075	11120036	17
M/31082 (8"x2)	113060	11120027	22
M/31102 (10"x2)	113100	11120038	36
M/31103 (10"x 3)	115055	11140029	68
M/31123 (12"x3)	115003	11140001	69
M/31142 (14"1/2x2)	113358	11120077	59
M/31143 (14"1/2 x 3)	115109	11140047	83
PM/31081 (8"x1)	111003	11101003	12
PM/31082 (8"x2)	113053	11120022	20
PM/31091 (9"1/4x1)	111004	11101004	13
PM/31092 (9"1/4x2)	113004	11120004	25
PM/31122 (12"x2)	113309	11120052	44
PM/31123(12"x3)	115082	11140075	76

PHOENIX

2 B 07 R	114050	11120145	20/21
2 B 34 RB	114451	11120162	58
2B 12R	114001	11120143	24/25/27/28/29/30
2B 12R-5	113002	11120002	27
2B 12R-8	113549	11120138	27
2B 15 R	114150	11120150	35
2B 20R	114250	11120152	40





CROSS REFERENCES

Cross Reference	Reference	Order No	Page No
2B 22R	114301	11120154	42/43/45/46
2B 22R	113308	11120051	44
2B 34R	114450	11120161	54/55
SP 1 B 07	111013	11101008	12
SP 1 B 05	111002	11101002	10
SP 2 B 34 R	113451	11120099	55
SP 2B 07R	113052	11120021	20
SP 2B 12R	113001	11120001	25
SP 2B 12R-1	113004	11120004	25
SP 2B 12R-12	113015	11120013	23
SP 2B 12R-17	113082	11120250	28
SP 2B 22R	113310	11120053	43
SP 2B 22R	113313	11120056	43
SP 2B 22-R1 51666	113556	11120142	46
SP 2B 22Ra-2	113320	11120058	47
SP 2B 34R	113450	11120098	54/55
SP2B12R-A-10	113010	11120009	33
SP2B12R-A-10	113012	11120011	33
SP2B12R-A-3	113481	11120116	33
SP2B12R-A-3	113476	11120112	34

PIRELLI

1938	113453	11120101	55
1938	113452	11120100	56
26	114050	11120145	20/21
322 BB-93410	115009	11140006	76
93410 322 B.B	115030	11140020	76
T20	113001	11120001	25
T20 86600	114001	11120143	24/25/27/28/29/30
T20 86660	113002	11120002	27
T22	114301	11120154	42/43/45/46
T245 93625	114150	11120150	35
T245 93740	113151	11120043	35
T245 BV	114151	11120151	35
T245 BV 92141	113150	11120042	35
T26 84181	113053	11120022	20

PNEUMATIS

DB 06219	113074	11120035	17
----------	--------	----------	----

RUBENA

170"x2	114059	11120256	18
170"x2	114058	11120255	18
170"x2	114057	11120236	18
340"x3	116060	11140103	78

SCANIA

1503813-7317	113554	11120141	45
1510249	113329	11120061	45

SPRINGRIDE

6X1	112020	11101029	11
6X1	111020	11101028	11

TAURUS

F 221-300	114450	11120161	54/55
KF 216	113002	11120002	27
KF 218	113053	11120022	20

Cross Reference	Reference	Order No	Page No
KF 222-7400	113333	11120063	44
KF 222-7410	113334	11120064	42
KF211-200	114250	11120152	40
KF218-6902	113027	11120018	26
KF218-6905	113028	11120019	26
KF218-6910	113017	11120014	26
KF222-7403	113339	11120065	42

TOYOTA

TUNDRA (4X4 only)	113431	11120209	39
TUNDRA TRD (4X2 only)	113431	11120209	39

VIBRACOUSTIC

V2B15R	114150	11120150	35
V2B20R	114250	11120152	40
V2B22R	114301	11120154	42/43/45/46
V2B34R	114450	11120161	54/55
VSP 2B 12RA-10	113010	11120009	33
VSP2B12RA-3	113476	11120112	34
VSP2B34R	113450	11120098	54/55

WEFORMA

WBD 500-E1	115024	11140016	76
WBD 500-E2	115032	11140022	76
WBD 600 E1	115053	11140027	79
WBD 600-E2	115054	11140028	79
WBD 600-E3	115051	11140026	79
WBD-G 450	115055	11140029	68
WBD-G 550	115003	11140001	69
WBD-G 590	115109	11140047	83
WBE 150-E1	111001	11101001	9
WBE 200-E1	111002	11101002	10
WBE 300-E1	111003	11101003	12
WBE 300-E2	111005	11101005	12
WBE 400-E1	111004	11101004	13
WBE 400-E2 / 410-E1	111006	11101006	13
WBZ 300-E1	113053	11120022	20
WBZ 300-E2	113054	11120023	20
WBZ 400 E1	113004	11120004	25
WBZ 400-E2	113482	11120117	25
WBZ 430-E1	113483	11120118	33
WBZ 430-E2	113484	11120119	33
WBZ 500-E1	113306	11120049	43
WBZ 500-E2	113313	11120056	43
WBZ 500-E2	113314	11120057	43
WBZ 600-E1	113453	11120101	55
WBZ 600-E2	113460	11120105	56
WBZ-G 210	113075	11120036	17
WBZ-G 350	113060	11120027	22
WBZ-G 450	113100	11120038	36
WBZ-G 550	113300	11120046	41
WBZ-G 600	113358	11120077	59



Convoluted & Sleeve Type Air Springs

CONVOLUTED AIR SPRINGS
CABIN AIR SPRINGS
LIFT - AXLE AIR SPRINGS
BELT-TENSIONER AIR SPRINGS
DRIVER'S SEAT AIR SPRINGS
NOTRH AMERICAN AIR SPRINGS

